

# **Ersatzteilliste CPD05W/CPD10W**

# Foreword

## 1. Application

This manual lists the components of CPD05W、CPD10W electric pallet truck, including its electricity, driving, steering, truck frame, additional parts and so on.

## 2. Truck identification

The nameplate is fixed in an obvious position of the truck. The nameplate displays the product model, series number and production date of the truck.

## 3. How to book a component

When you need to book any component, you should specify in your order the truck model, series number, quantity, part material number, and the name of the component. If you have any question concerning the material number, please inform your agent, and make complete supplementary instructions for the component in need.

## 4. How to use this manual

This part manual includes drawings of the whole assembly or each part of the truck. These drawings include standard components and additional components.

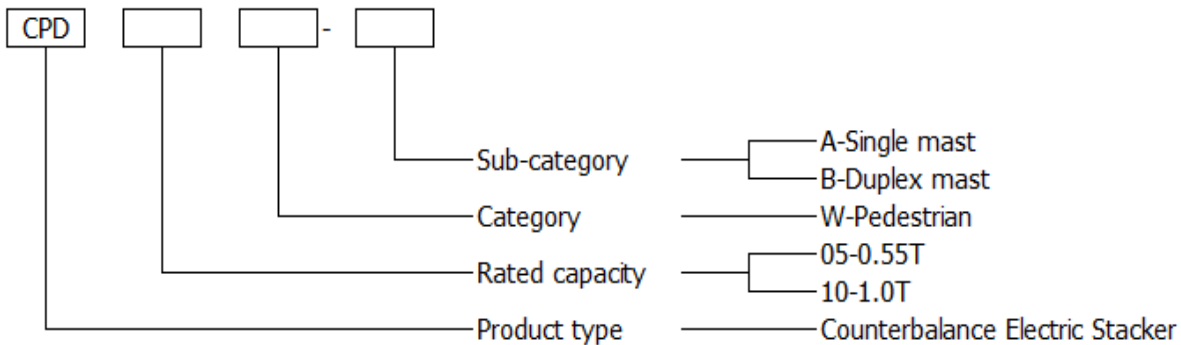
## 5. Modifications of the truck is not provided in this manual

The following-up adjustment and the product design changes may result in the revision of the manual, which is not listed in this manual.

## 6. The meanings of "marks" in this part manual

O.D external diameter      I.D. internal diameter      C. modification      Y. breakdown drawing  
 Z. not provided seperately      X. main part exchange      F. not displayed

## 7. Model description



# Instructions for use

- ① **Date**
- ② **Assembly name&drawing No.**
- ③ **Index No.&assembly No.**
- ④ **Part No.**
- ⑤ **Part Name**
- ⑥ **Part specification**
- ⑦ **Part quantity needed**
- ⑧ **Remark**
- ⑨ **Assembly exploded picture**

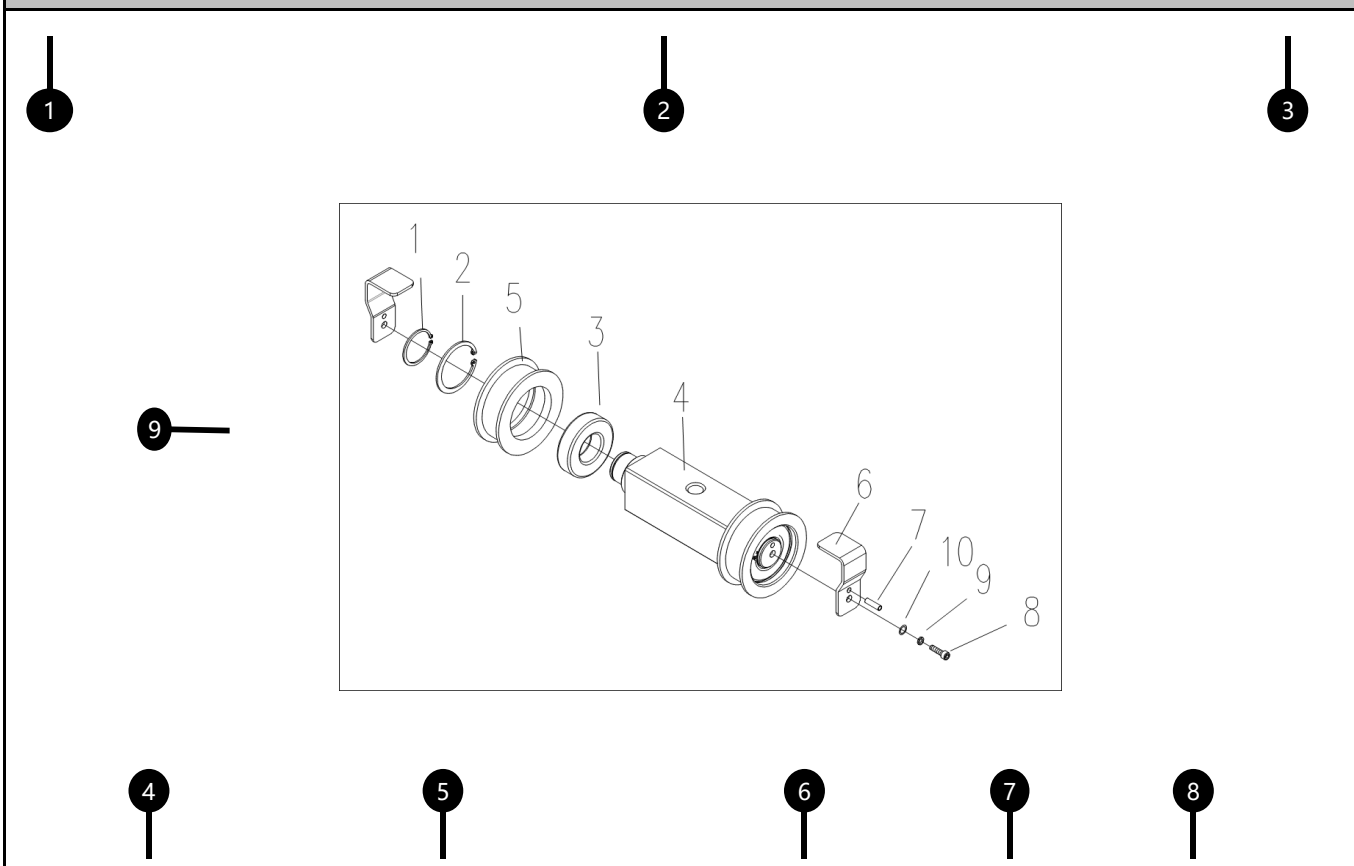
**Following information is needed when ordering a part. For example, if a part Retaining ring 30 is in need, provide the following information to the sales for quotation.**

Description	Specification	No.	Qty
Retaining ring 30	/	41305000018	1

Date:  
02.06.2021

Chain roller (130.04.0760.01)

Index No.: 0.03  
31402000001



No.	Assy No.	Description	Specification	Qty	Remark
1	41305000018	Retaining ring 30		2	
2	41304000021	Retaining ring 62		2	
3	43001000046	Bearing 6206-2RS		2	
4	21703000178	Step shaft		1	
5	21311000010	Chain roller		2	
6	22003000044	Bent plate		2	
7	41402000009	Pin 4X20		2	
8	41100000041	Screw M6X16		2	
9	41300000004	Washer 6		2	
10	41301000004	Washer 6		2	



# Contents

## 0

0.00	Master assy	CPD05W Duplex mast (w/o FFL)	1
0.00A	Master assy	CPD05W Single mast	3
0.00B	Master assy	CPD10W Duplex mast (w/o FFL)	5

## 1

1.00	Electric system	CPD05W	7
1.01	Electric parts master assy		9
1.02	Power line assy		10
1.03	Control wiring assy		11
1.04	Tiller head		12
1,041	Switch assy		13
1,042	Accelerator assy		14
1.00B	Electric system	CPD10W	15
1.01B	Electric parts master assy		17
1.02B	Power line assy		18
1.03B	Control wiring assy		19

## 2

2.00	Hydraulic system		20
2,01	Hydraulic station mounting assy		21
2.00B	Hydraulic system		22

## 3

3.00	Mast master assy	CPD05W Duplex mast (w/o FFL)	23
3,01	Cylinder master assy		26
3.02	Chain assy		27
3.03	Cylinder master assy		28
3.00A	Mast master assy	CPD05W Single mast	29
3.00B	Mast master assy	CPD10W Duplex mast (w/o FFL)	31
3.01B	Cylinder master assy		34
3.02B	Chain assy		35

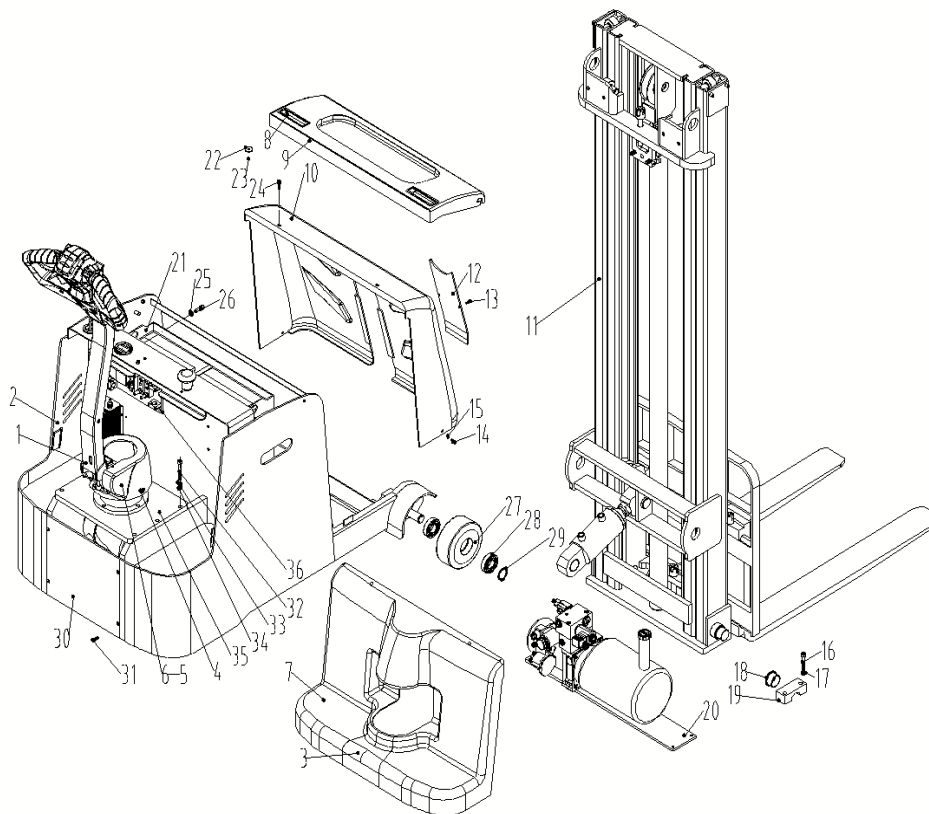
## 4

4.00	Steering gear master assy		36
4.01	Drive wheel master assy		38

Date:  
20.07.2022

Master assy (CPD05W-00)

Index No. : 0.00

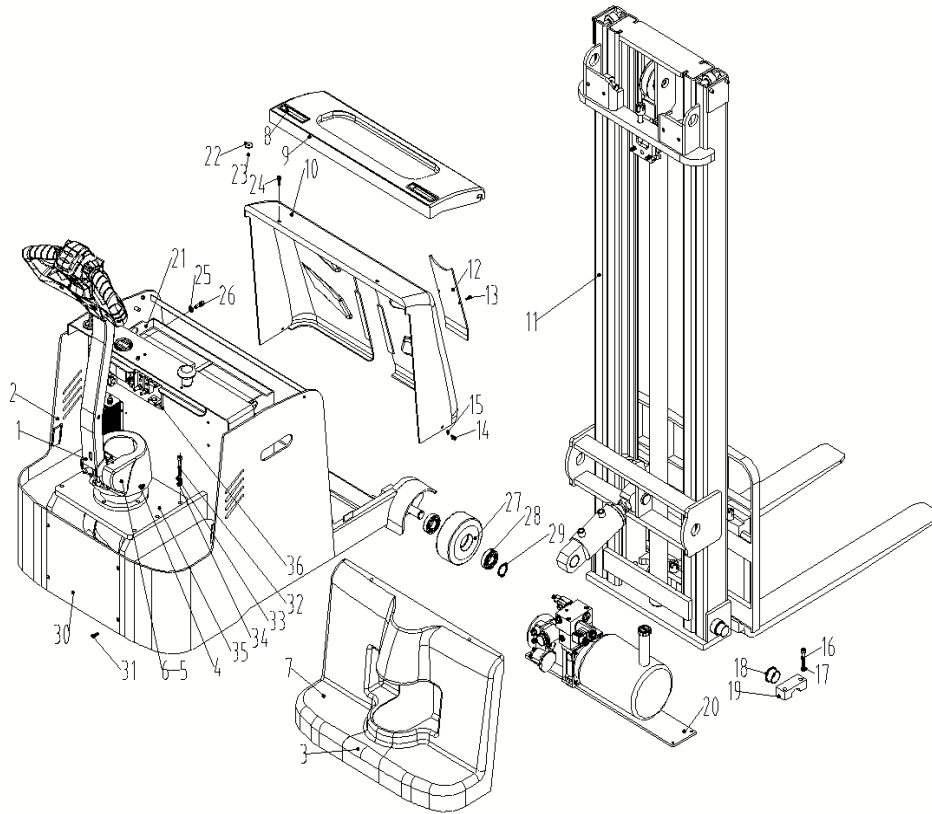


No.	Part No.	Description	Specification	Qty	Remark	
1	30402000159	Steering gear master assy		1	Y	See 4.00
2	30701002715	Truck frame assy		1		
3	20521000170	Housing		1		
4	41101000024	Screw M4X10		4		
5	20521000067	Left housing		1		
6	20521000068	Right housing		1		
7	20521000171	Housing		1		
8	21404000001	Plastic pull handle		2		
9	30804000036	Battery compartment cover assy		1		
10	20521000172	Housing		1		
11	30601001887	Mast master assy	Lift height 3m/850	1	Y	See 3.00
11	30601001889	Mast master assy	Lift height 2.5m/850	1	Y	See 3.00
11	30601001890	Mast master assy	Lift height 2m/850	1	Y	See 3.00
12	22003002079	Bent plate		1		
13	41113000007	Screw ST4.8X13		2		
14	41101000002	Screw M5X12		6		
15	41301000003	Washer 5		6		
16	41100000140	Screw M12X60		4		
17	41300000010	Washer 12		4		
18	43101000013	Bearing 1F-350.220		2		
19	20515000018	Haff		2		
20	30201000860	Hydraulic system		1	Y	See 2.00
21	NULL	Battery compartment assy		1		
22	21925000003	Magnetic steel		2		
23	41109000009	Screw M4X10		2		

Date:  
20.07.2022

Master assy (CPD05W-00)

Index No. : 0.00

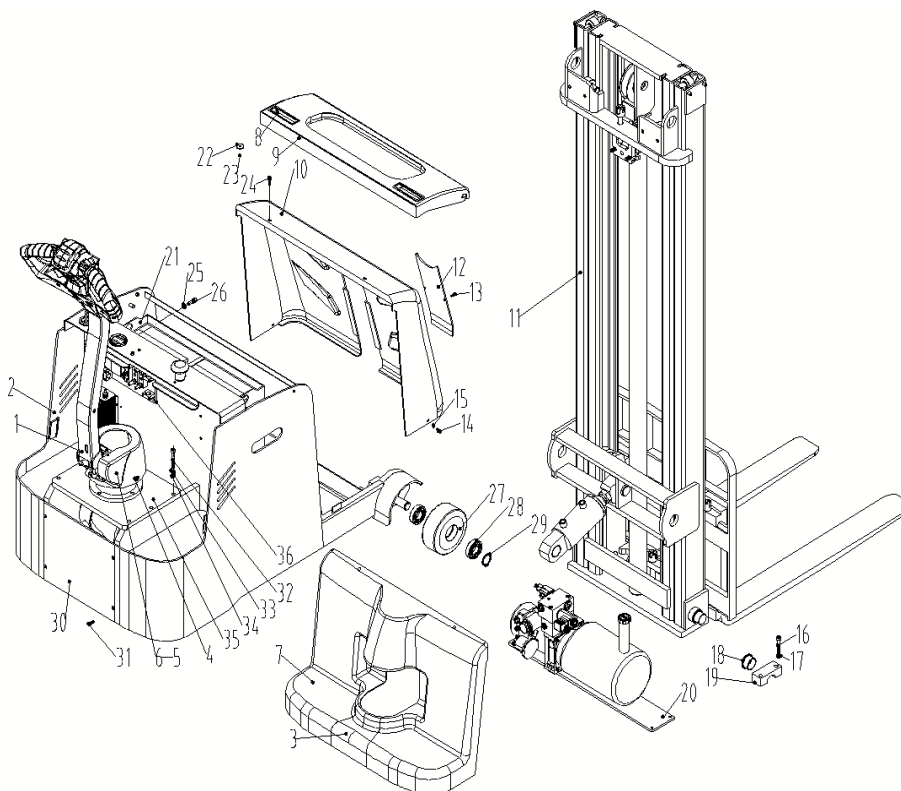


No.	Part No.	Description	Specification	Qty	Remark	
24	41100000045	Screw M6X25		6		
25	41300000005	Washer 8		1		
26	41100000065	Screw M8X20		6		
27	21312000320	WheelΦ150X64	General/PU/Φ150X64	2		
28	43001000037	Bearing 6205-2Z		4		
29	41305000016	Retaining ring 25		2		
30	21901002001	Rectangular plate		1		
31	41109000015	Screw M5X12		4		
32	41100000098	Screw M10X30		6		
33	41301000007	Washer 10		6		
34	41300000008	Washer 10		6		
35	21909000479	Mounting plate		1		
36	NULL	Electric system	CPD05W	1	Y	See 1.00

Date:  
20.07.2022

Master assy (CPD05W-A-00)

Index No. : 0.00A



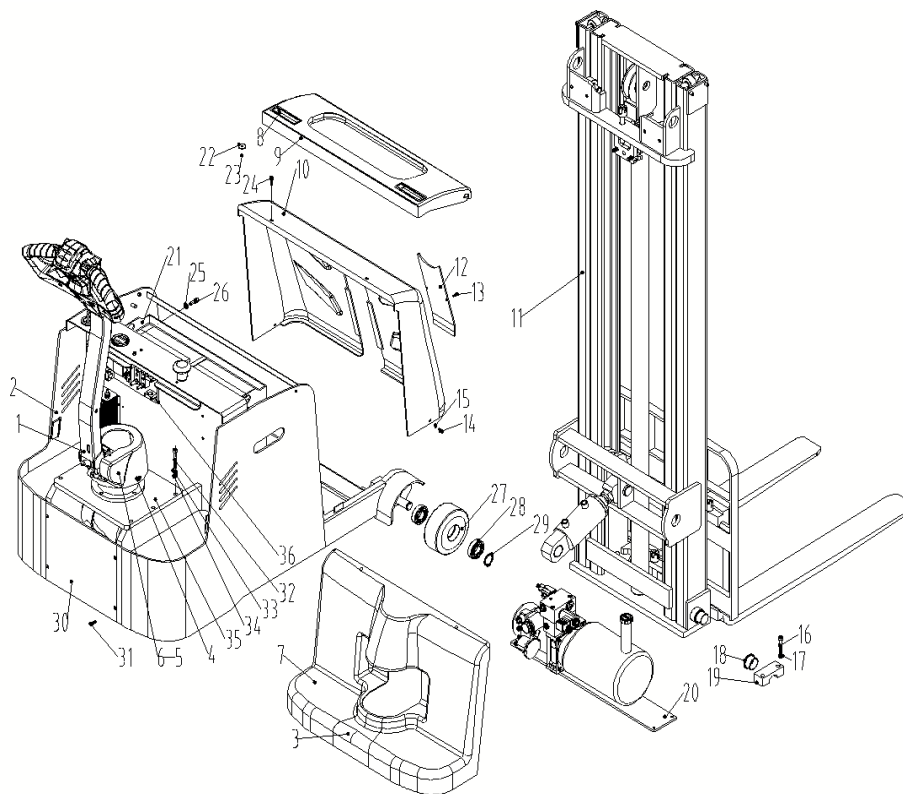
No.	Part No.	Description	Specification	Qty	Remark	
1	30402000159	Steering gear master assy		1	Y	See 4.00
2	30701002715	Truck frame assy		1		
3	20521000170	Housing		1		
4	41101000024	Screw M4X10		4		
5	20521000067	Left housing		1		
6	20521000068	Right housing		1		
7	20521000171	Housing		1		
8	21404000001	Plastic pull handle		2		
9	30804000036	Battery compartment cover assy		1		
10	20521000172	Housing		1		
11	30601001939	Mast master assy	Lift height 1.6m/850	1	Y	See 3.00A
12	22003002079	Bent plate		1		
13	41113000007	Screw ST4.8X13		2		
14	41101000002	Screw M5X12		6		
15	41301000003	Washer 5		6		
16	41100000140	Screw M12X60		4		
17	41300000010	Washer 12		4		
18	43101000013	Bearing 1F-350.220		2		
19	20515000018	Haff		2		
20	30201000860	Hydraulic system		1	Y	See 2.00
21	31213000074	Battery compartment assy		1		
22	21925000003	Magnetic steel		2		
23	41109000009	Screw M4X10		2		
24	41100000045	Screw M6X25		6		
25	41300000005	Washer 8		1		



Date:  
20.07.2022

Master assy (CPD05W-A-00)

Index No. : 0.00A

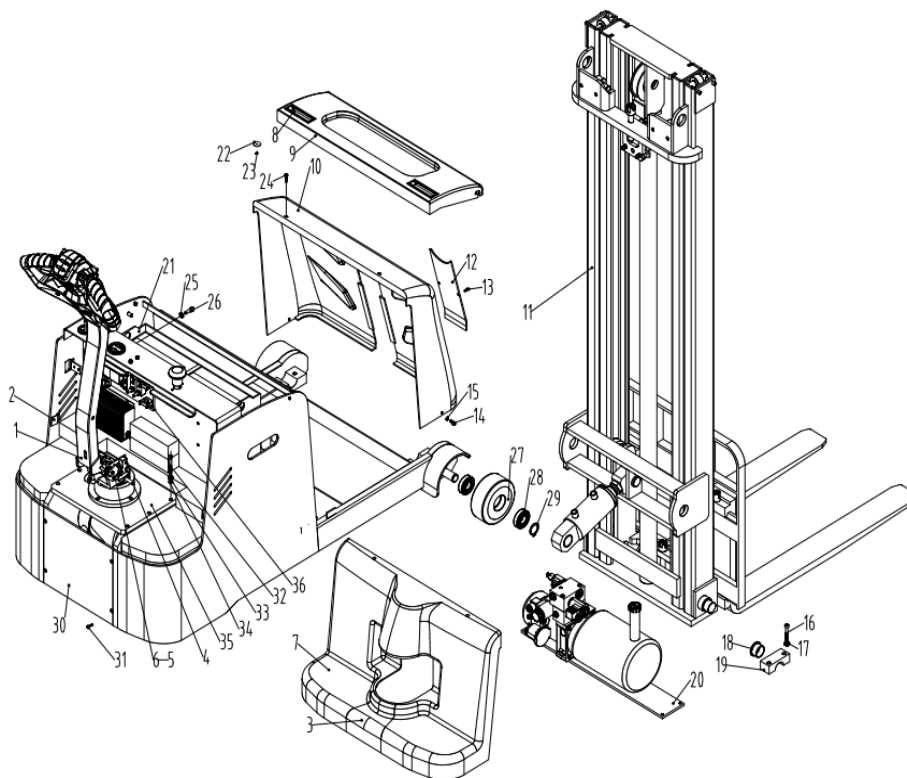


No.	Part No.	Description	Specification	Qty	Remark	
26	41100000065	Screw M8X20		6		
27	21312000320	Wheel	General/PU/φ150X64	2		
28	43001000037	Bearing 6205-2Z		4		
29	41305000016	Retaining ring 25		2		
30	21901002001	Rectangular plate		1		
31	41109000015	Screw M5X12		4		
32	41100000098	Screw M10X30		6		
33	41301000007	Washer 10		6		
34	41300000008	Washer 10		6		
35	21909000479	Mounting plate		1		
36	NULL	Electric system	CPD05W	1	Y	See 1.00

Date:  
20.07.2022

Master assy (CPD10W-00)

Index No. : 0.00B

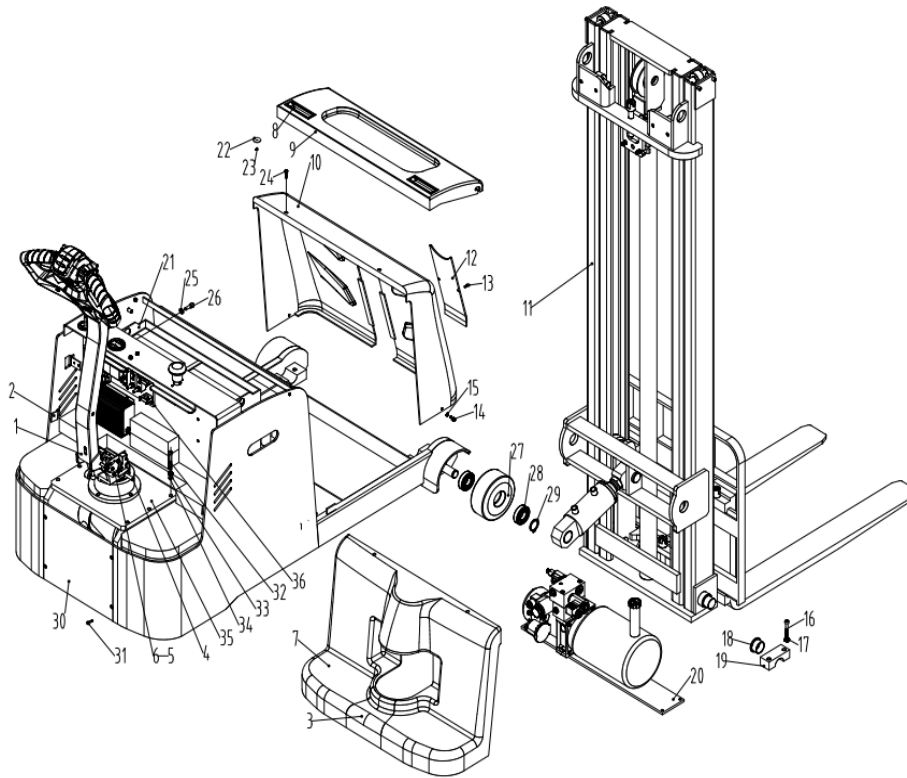


No.	Part No.	Description	Specification	Qty	Remark	
1	30402000159	Steering gear master assy		1	Y	See 4.00
2	30701004464	Truck frame assy		1		
3	20521000170	Housing		1		
4	41101000024	Screw M4X10		4		
5	20521000067	Left housing		1		
6	20521000068	Right housing		1		
7	20521000171	Housing		1		
8	21404000001	Plastic pull handle		2		
9	30804000036	Battery compartment cover assy		1		
10	20521000172	Housing		1		
11	30601002819	Mast master assy	Lift height 3m/950	1	Y	See 3.00B
11	30601002820	Mast master assy	Lift height 2.5m/950	1	Y	See 3.00B
11	30601002821	Mast master assy	Lift height 2m/950	1	Y	See 3.00B
12	22003002079	Bent plate		1		
13	41113000007	Screw ST4.8X13		2		
14	41101000002	Screw M5X12		6		
15	41301000003	Washer 5		6		
16	41100000140	Screw M12X60		4		
17	41300000010	Washer 12		4		
18	43101000013	Bearing 1F-350.220		2		
19	20515000018	Haff		2		
20	30201001171	Hydraulic system		1	Y	See 2.00B
21	NULL	Battery compartment assy		1		
22	21925000003	Magnetic steel		2		
23	41109000009	Screw M4X10		2		

Date:  
20.07.2022

Master assy (CPD10W-00)

Index No. : 0.00B

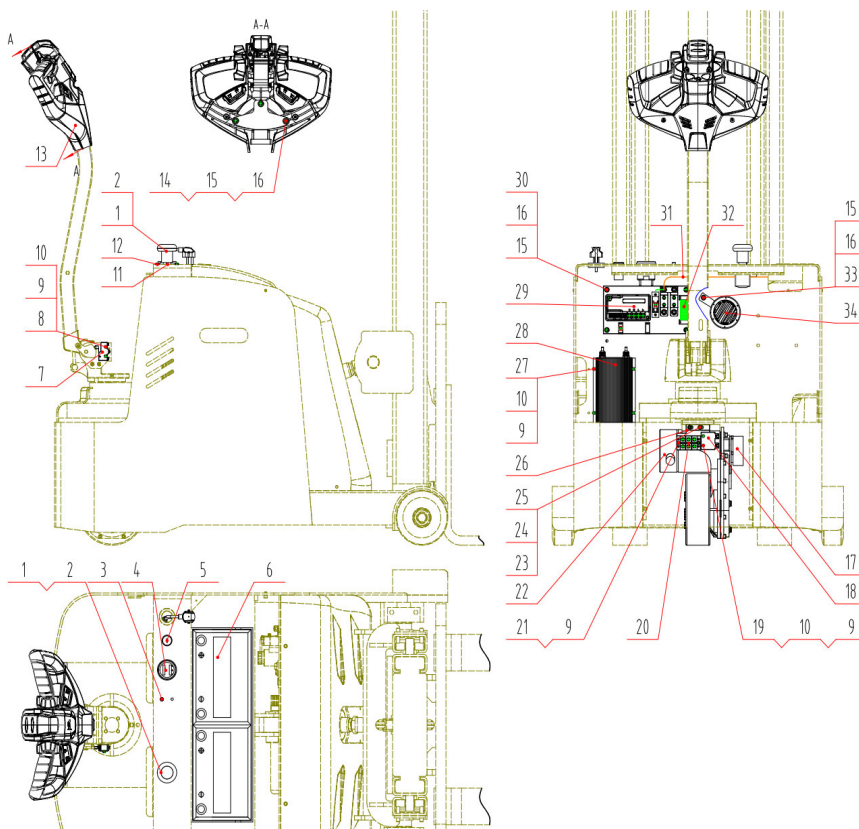


No.	Part No.	Description	Specification	Qty	Remark	
24	41100000045	Screw M6X25		6		
25	41300000005	Washer 8		1		
26	41100000065	Screw M8X20		6		
27	21312000320	Wheel	General/PU/Φ150X64	2		
28	43001000037	Bearing 6205-2Z		4		
29	41305000016	Retaining ring 25		2		
30	21901002001	Rectangular plate		1		
31	41109000015	Screw M5X12		4		
32	41100000098	Screw M10X30		6		
33	41301000007	Washer 10		6		
34	41300000008	Washer 10		6		
35	21909000479	Mounting plate		1		
36	NULL	Electric system	CPD10W	1	Y	See 1.00B

Date:  
20.07.2022

Electric system (CPD05W.01-00)

Index No.: 1.00

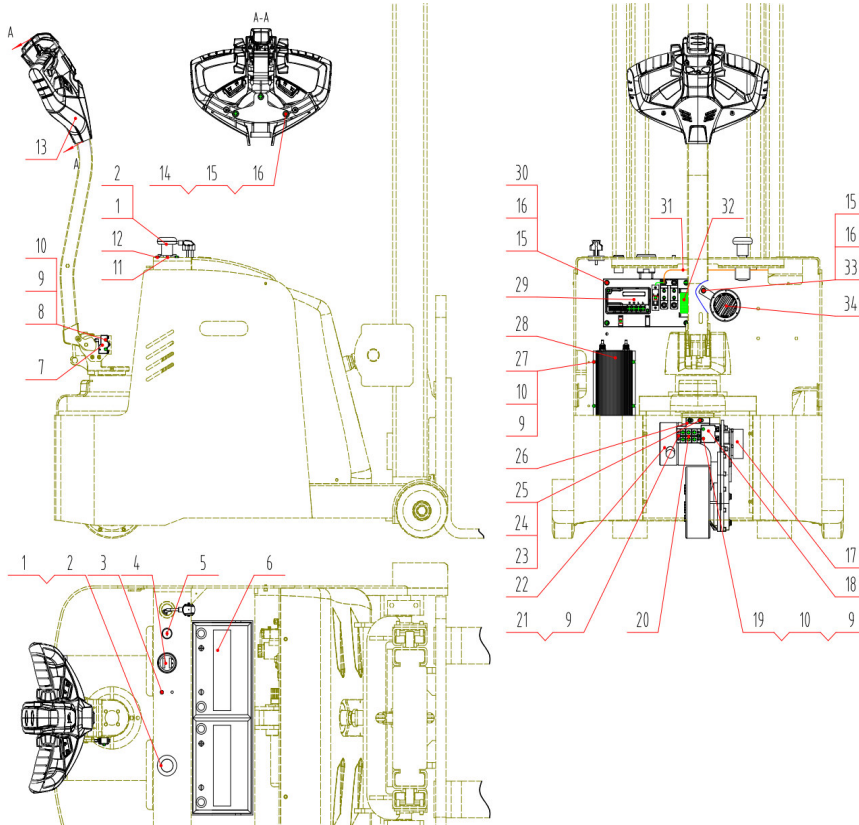


No.	Part No.	Description	Specification	Qty	Remark	
1	35601000003	Dc power switch		1		
2	20419000001	Mushroom head		1		
3	20422000001	Diode seat		2		
4	35503000050	Instrument		1		
5	35602000007	Key switch		1		
6	35302000048	Lead-acid switch		2		
6	35302000054	Lead-acid switch		2		Option
7	35612000001	Micro switch		1		
8	41108000020	Screw M4X25		2		
9	41300000002	Washer 4		8		
10	41301000002	Washer 4		10		
11	21926000001	Alarm ring		1		
12	41108000030	Screw M5X12		2		
13	30910000017	Tiller head		1	Y	See 1.04
14	41100000063	Screw M8X16		3		
15	41300000005	Washer 8		8		
16	41301000006	Washer 8		8		
17	30506000032	EM brake		1		
18	21909000155	Mounting plate		1		
19	41108000009	Screw M4X6		2		
20	20431000001	Terminal box		1		
21	41100000007	Screw M4X10		2		
22	35205000004	DC motor		1		
23	41100000037	Screw M6X12		2		
24	41300000004	Washer 6		2		

Date:  
20.07.2022

Electric system (CPD05W.01-00)

Index No.: 1.00

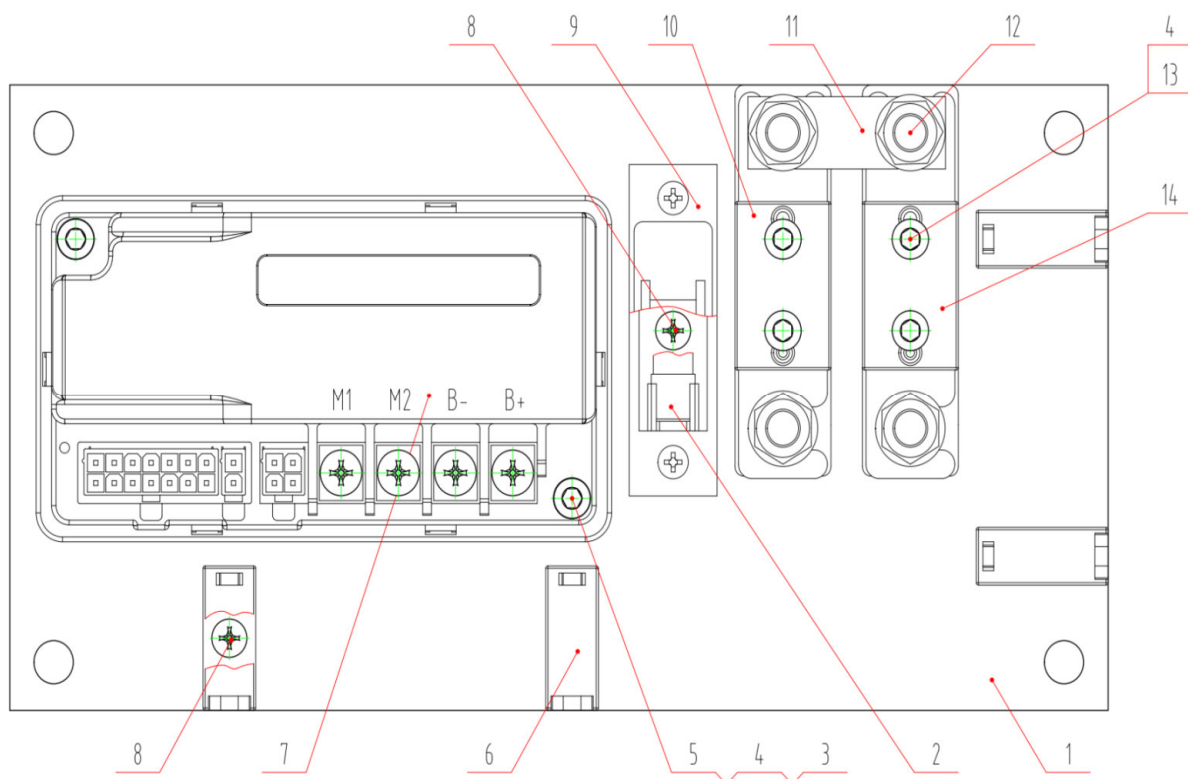


No.	Part No.	Description	Specification	Qty	Remark	
25	41301000004	Washer 6		2		
26	22003000549	Bent plate		1		
27	41108000013	Screw M4X10		6		
28	35206000262	Charger		1		
29	35108000234	Electric parts master assy		1	Y	See 1.01
30	41100000065	Screw M8X20		4		
31	30102000196	Power line assy		1	Y	See 1.02
32	30103000262	Control wiring assy		1	Y	See 1.03
33	41100000058	Screw M8X12		1		
34	35702000002	Horn		1		

Date:  
20.07.2022

Electric parts master assy (CPD05W.01.03-00)

Index No.: 1.01  
35108000234

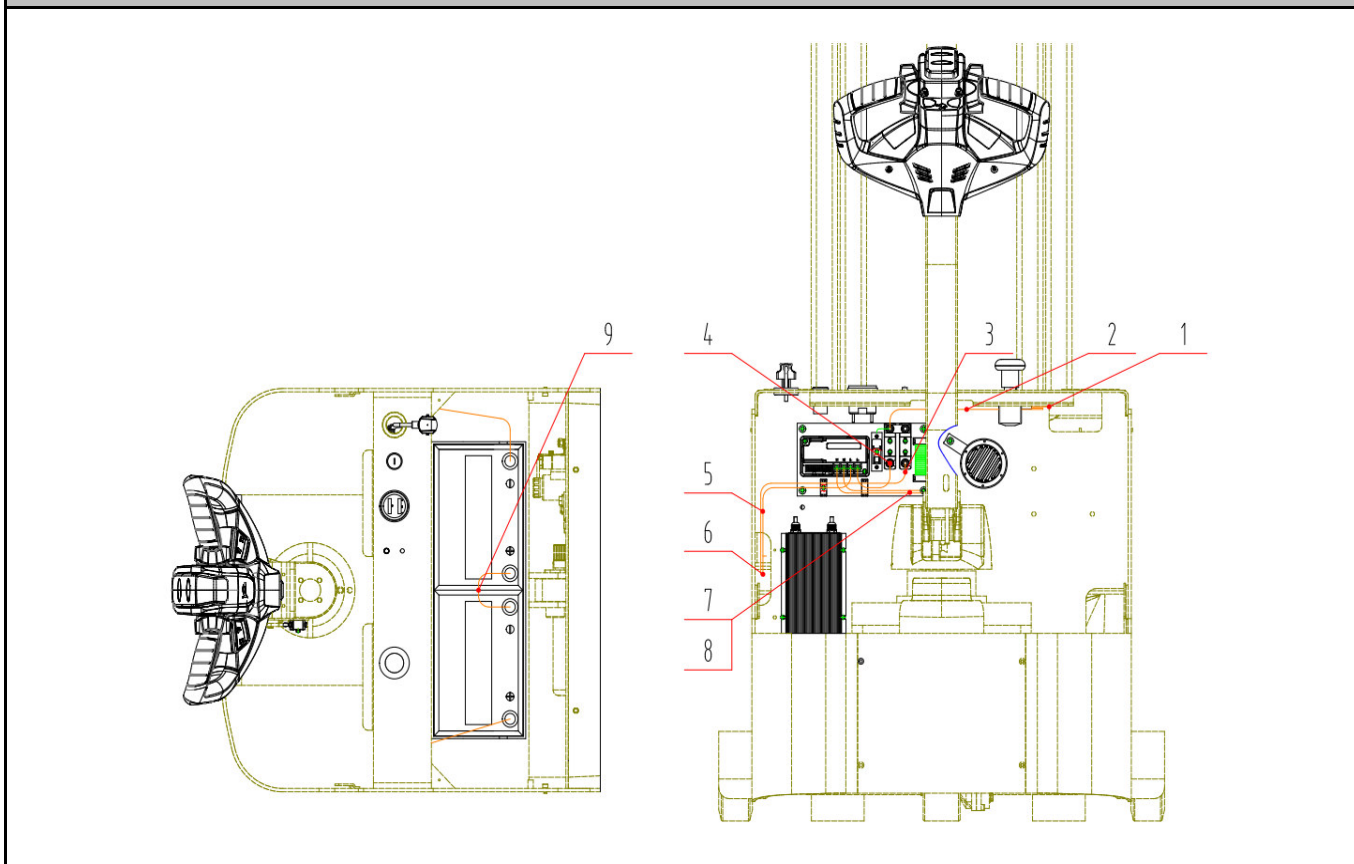


No.	Part No.	Description	Specification	Qty	Remark
1	21915000285	Base plate		1	
2	20416000009	Fuse		1	
3	41100000028	Screw M5X30		2	
4	41300000003	Washer 5		6	
5	41301000003	Washer 5		2	
6	21006000006	Fixing buckle		4	
7	35105000039	Controller		1	
8	41108000011	Screw M4X8		5	
9	20417000005	Fuse seat		1	
10	20416000001	Fuse		1	
11	20428000078	Copper connecting strip		1	
12	20417000001	Fuse seat		2	
13	41100000025	Screw M5X20		4	
14	20416000002	Fuse		1	

Date:  
20.07.2022

Power line assy (CPD05W.01.01-00)

Index No. : 1.02  
30102000196

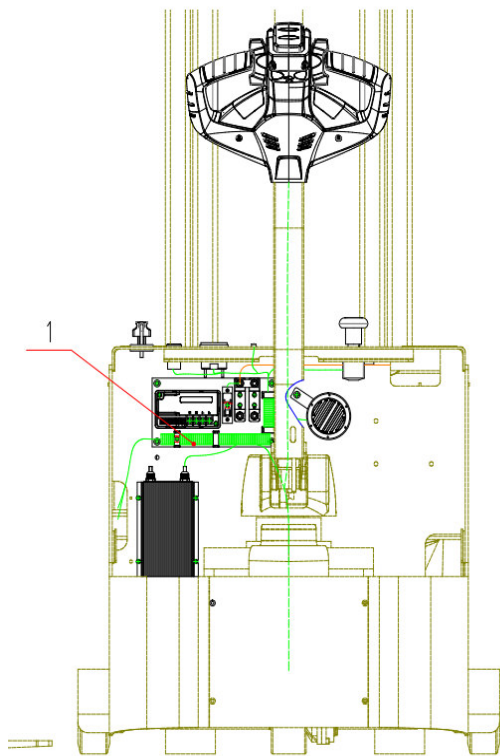


No.	Part No.	Description	Specification	Qty	Remark
1	35404001138	Power line		1	
2	35404001139	Power line		1	
3	35404001140	Power line		1	
4	35404001141	Power line		1	
5	35404001142	Power line		1	
6	35404001143	Power line		1	
7	35404001144	Power line		1	
8	35404001145	Power line		1	
9	35404001146	Power line		1	

Date:  
20.07.2022

Control wiring assy (CPD05W.01.02-00)

Index No. : 1.03  
30103000262



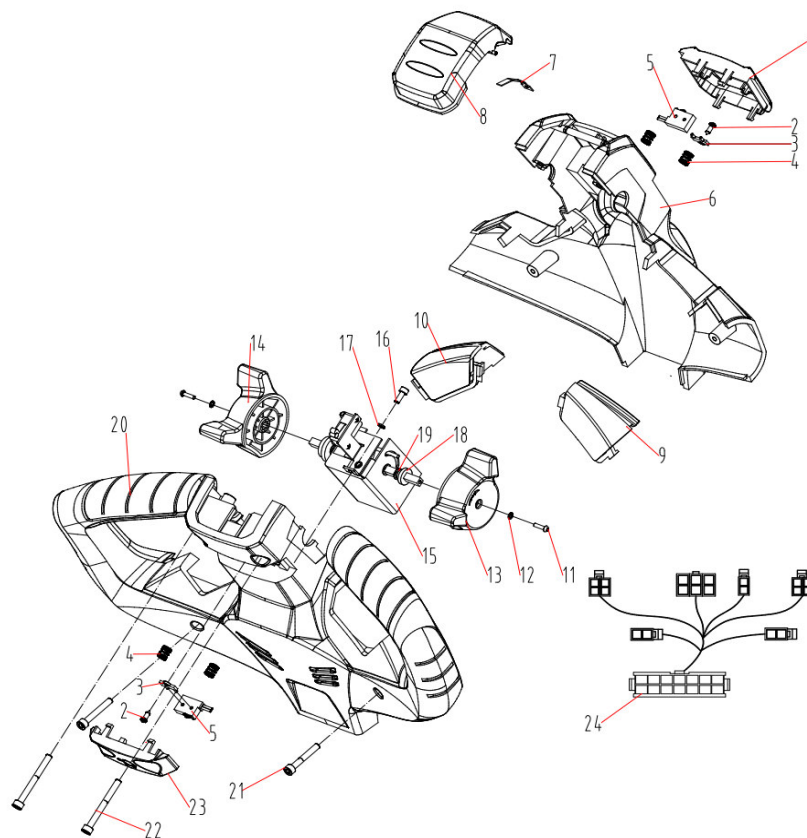
No.	Part No.	Description	Specification	Qty	Remark
1	35401000444	Control wiring harness		1	



Date:  
13.06.2022

Tiller head RYTN2(740.01.0003.01)

Index No.: 1.04  
30910000017

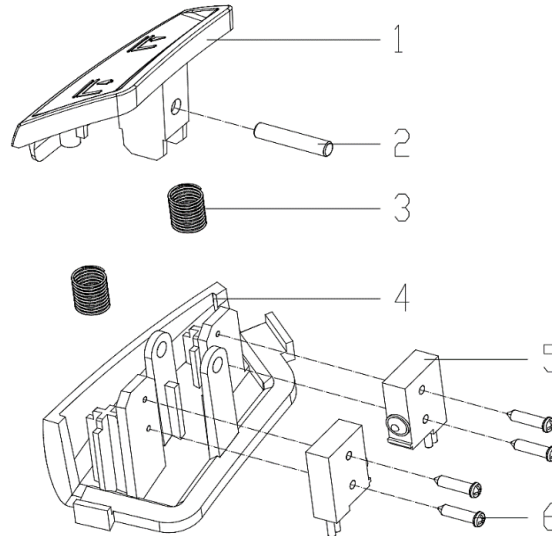


No.	Part No.	Description	Specification	Qty	Remark	
1	20407000007	Horn button		1		
2	41113000003	Screw ST2.9X6.5		2		
3	20418000021	Insert		1		
4	21605000053	Compression spring		2		
5	35612000017	Micro switch		2		
6	30916000005	Upper cover assy		1		
7	21602000001	Reed		1		
8	20403000004	Emergency reverse button		1		
9	35607000002	Right switch assy		1	Y	See 1.041
10	35607000004	Left switch assy		1	Y	See 1.041
11	41108000004	Screw M3X12		2		
12	41313000001	Washer 3		2		
13	20409000008	Right rotary knob		1		
14	20409000005	LH rotary knob		1		
15	35501000001	Accelerator assy		1	Y	See 1.042
16	41100000008	Screw M4X12		1		
17	41300000002	Washer 4		1		
18	21808000027	Bush		2		
19	21808000028	Bush		2		
20	30917000006	Bottom cover assy		1		
21	41100000029	Screw M5X35		2		
22	41100000032	Screw M5X50		2		
23	20402000004	Turtle slow button		1		
24	35401000004	Control wiring harness		1		

Date:  
13.06.2022

Switch assy (740.99.0003.03/740.99.0003.05)

Index No. : 1.041

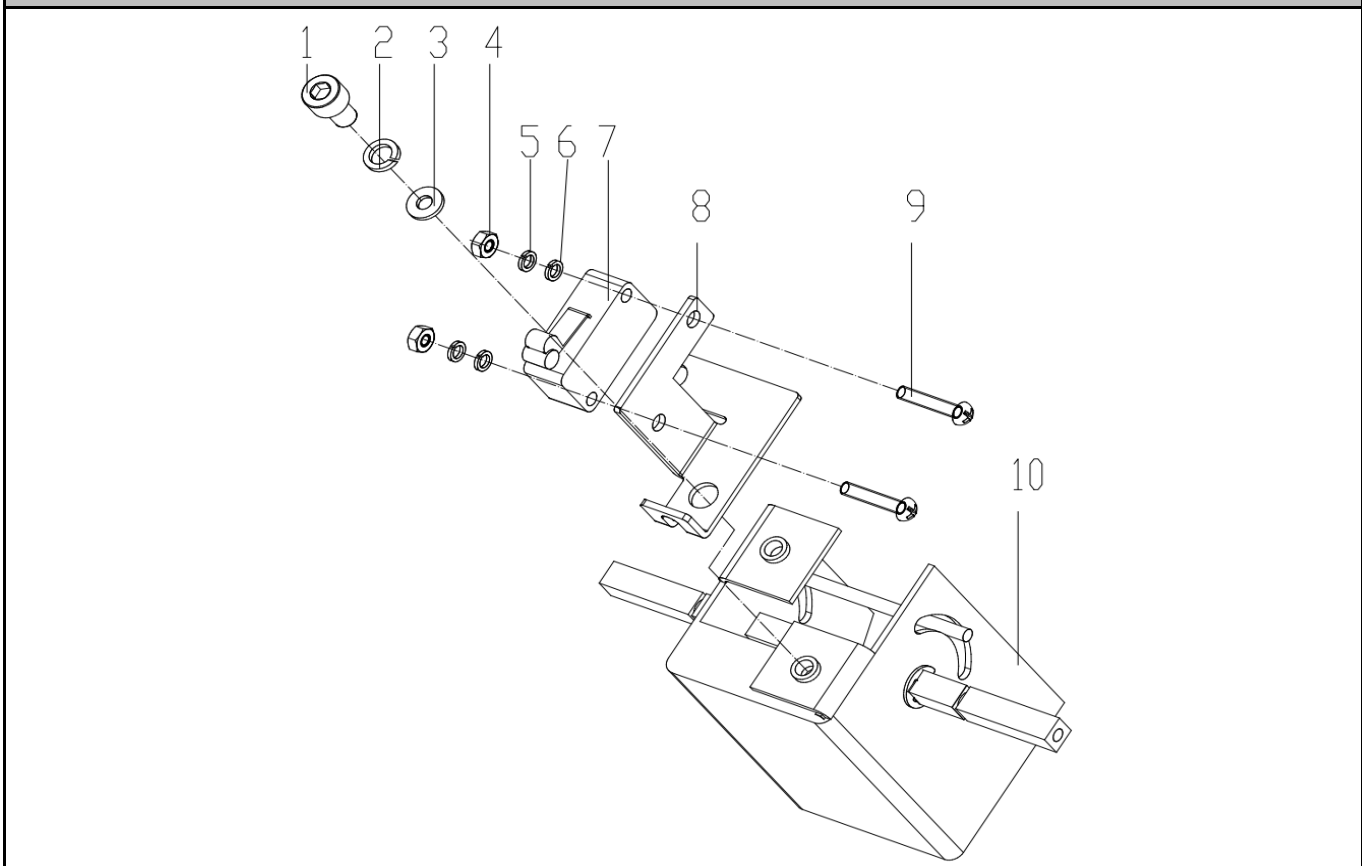


No.	Part No.	Description	Specification	Qty	Remark
1	2042400002	Left key cap		1	Symmetrical parts
1	2042400001	Right key cap		1	Symmetrical parts
2	2170400002	Pin roller		1	
3	2160500003	Compression spring		2	
4	2041000002	Left button seat		1	Symmetrical parts
4	2041000001	Right button seat		1	Symmetrical parts
5	35612000019	Micro switch		2	
6	41113000001	Screw ST2.2X12		4	

Date:  
13. 06. 2022

Accelerator assy (740.99.0003.02)

Index No. : 1.042  
35501000001

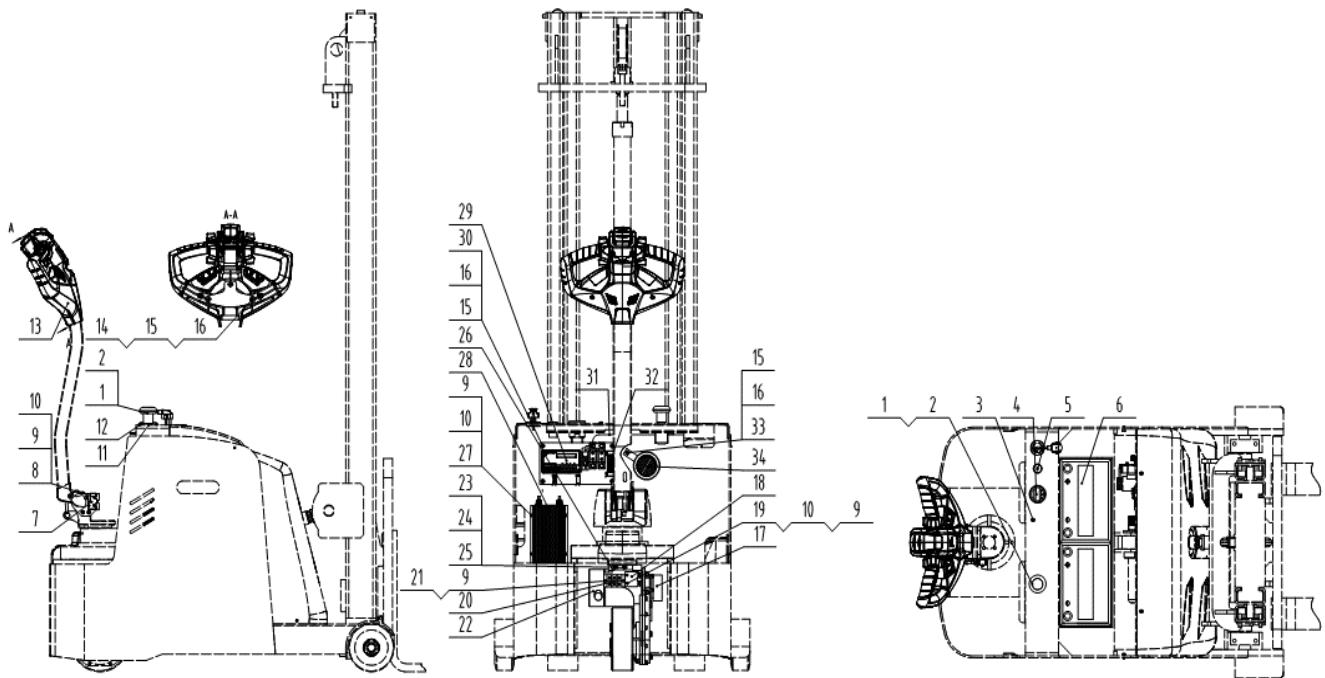


No.	Part No.	Description	Specification	Qty	Remark
1	41100000021	Screw M5X8		1	
2	41300000003	Washer 5		1	
3	41301000003	Washer 5		1	
4	41200000001	Nut M3		2	
5	41300000001	Washer 3		2	
6	41301000001	Washer 3		2	
7	35612000018	Micro switch		1	
8	21218000006	Switch seat		1	
9	41108000005	Screw M3X16		2	
10	35501000007	Accelerator assy		1	

Date:  
20.07.2022

Electric system (CPD10W.01-00)

Index No.: 1.00B

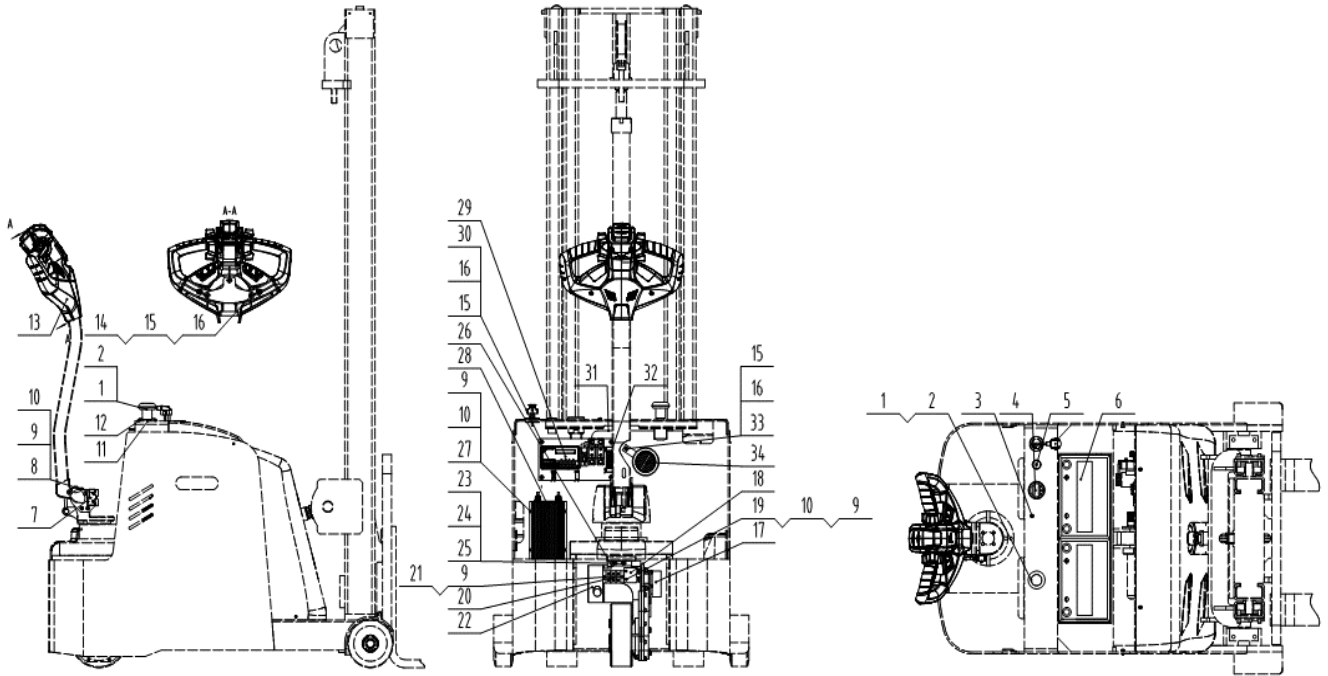


No.	Part No.	Description	Specification	Qty	Remark
1	35601000003	Dc power switch		1	
2	20419000001	Mushroom head		1	
3	20422000001	Diode seat		2	
4	35503000050	Instrument		1	
5	35602000007	Key switch		1	
6	35302000048	Lead-acid switch		2	
6	35302000054	Lead-acid switch		2	Option
7	35612000001	Micro switch		1	
8	41108000020	Screw M4X25		2	
9	41300000002	Washer 4		8	
10	41301000002	Washer 4		10	
11	21926000001	Alarm ring		1	
12	41108000030	Screw M5X12		2	
13	30910000017	Tiller head		1	Y See 1.04
14	41100000063	Screw M8X16		3	
15	41300000005	Washer 8		8	
16	41301000006	Washer 8		8	
17	30506000032	EM brake		1	
18	21909000155	Mounting plate		1	
19	41108000009	Screw M4X6		2	
20	20431000001	Terminal box		1	
21	41100000007	Screw M4X10		2	
22	35205000004	DC motor		1	
23	41100000037	Screw M6X12		2	
24	41300000004	Washer 6		2	

Date:  
20.07.2022

Electric system (CPD10W.01-00)

Index No. : 1.00B

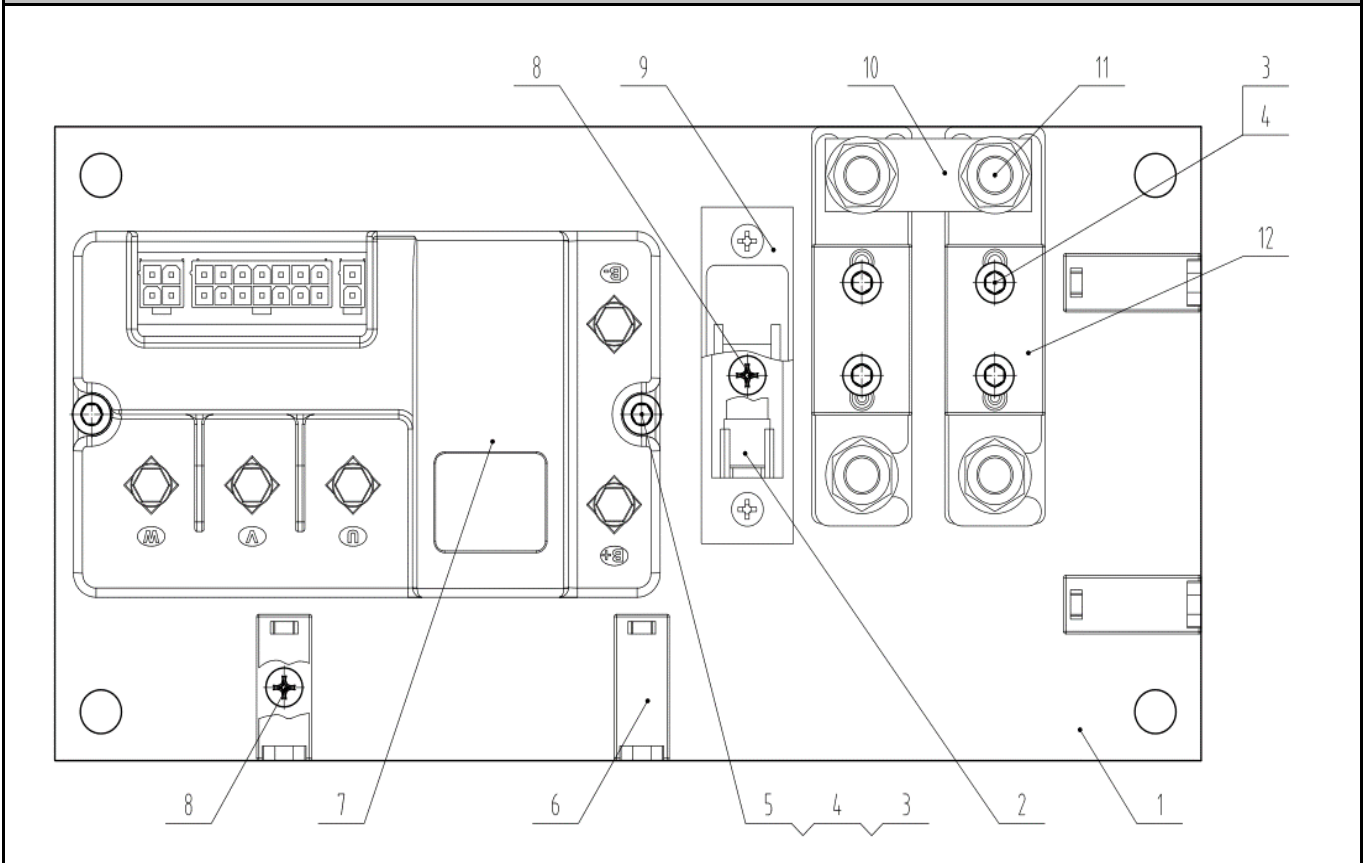


No.	Part No.	Description	Specification	Qty	Remark	
25	41301000004	Washer 6		2		
26	22003000549	Bent plate		1		
27	41108000013	Screw M4X10		6		
28	35206000262	Charger		1		
29	35108000531	Electric parts master assy		1	Y	See 1.01B
30	41100000065	Screw M8X20		4		
31	30102000311	Power line assy		1	Y	See 1.02B
32	30103000517	Control wiring assy		1	Y	See 1.03B
33	41100000058	Screw M8X12		1		
34	35702000002	Horn		1		
35	NULL	Power line		1		

Date:  
20.07.2022

Electric parts master assy (CPD10W.01.03-00)

Index No. : 1.01B  
35108000531

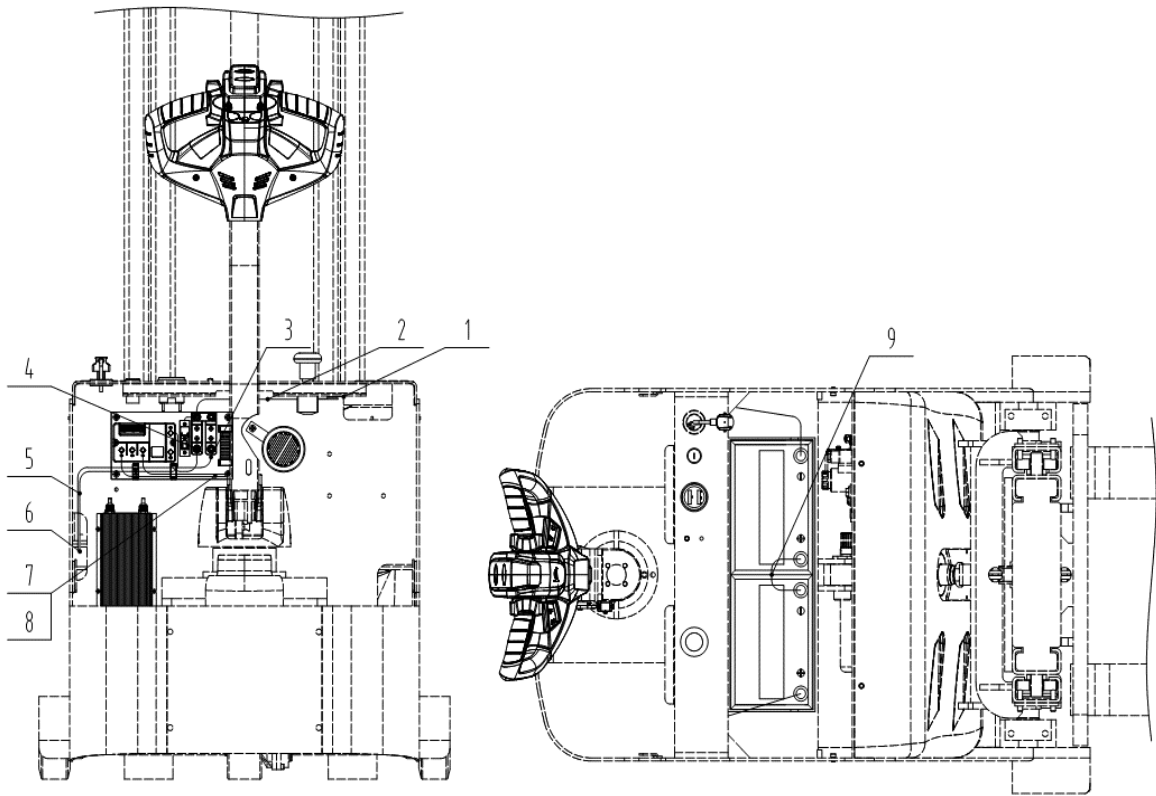


No.	Part No.	Description	Specification	Qty	Remark
1	21915000285	Base plate		1	
2	20416000009	Fuse		1	
3	41100000025	Screw M5X20		6	
4	41300000003	Washer 5		6	
5	41301000003	Washer 5		2	
6	21006000006	Fixing buckle		4	
7	35105000029	Controller		1	
8	41108000011	Screw M4X8		5	
9	20417000005	Fuse seat		1	
10	20428000078	Copper connecting strip		1	
11	20417000001	Fuse seat		2	
12	20416000002	Fuse		2	

Date:  
20.07.2022

Power line assy (CPD10W.01.01-00)

Index No. : 1.02B  
30102000311

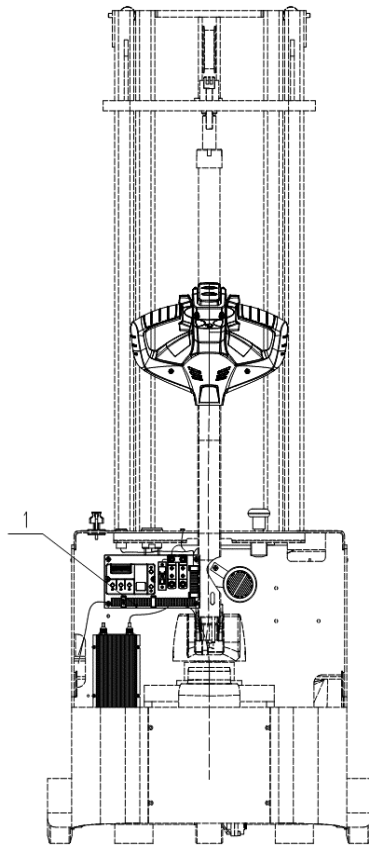


No.	Part No.	Description	Specification	Qty	Remark
1	35404001492	Power line	B+	1	
2	35404001493	Power line	A+	1	
3	35404001494	Power line	P+	1	
4	35404001495	Power line	T+	1	
5	35404001496	Power line	T-	1	
6	35404001497	Power line	P-	1	
7	35404001498	Power line	M1	1	
8	35404001499	Power line	M2	1	
9	35404001500	Power line	Battery line	1	Lead-acid battery only

Date:  
20.07.2022

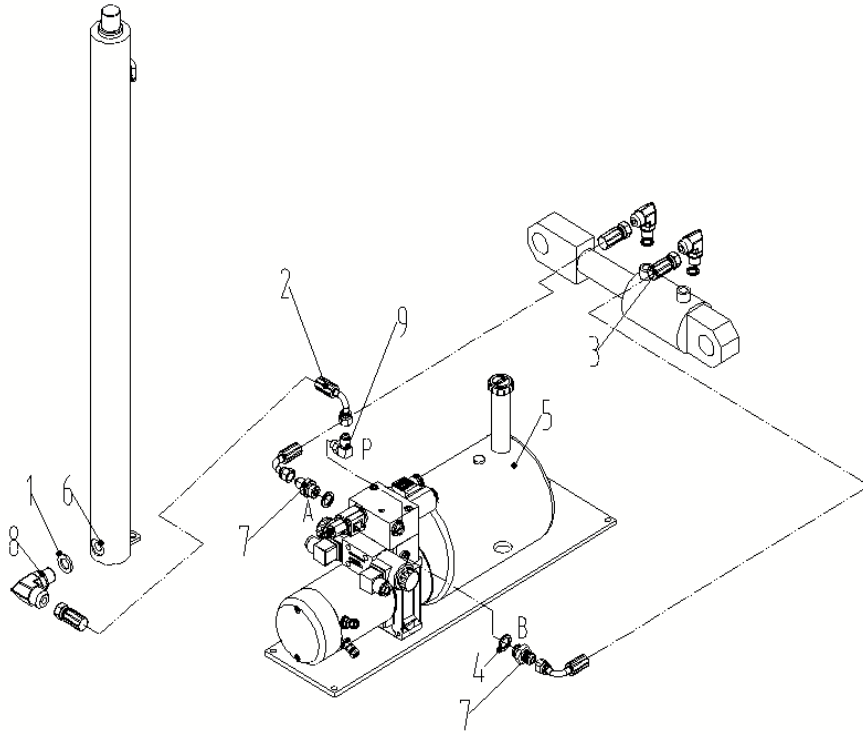
Control wiring assy (CPD10W.01.02-00)

Index No.: 1.03B  
30103000517



No.	Part No.	Description	Specification	Qty	Remark
1	35401000841	Control wiring harness		1	



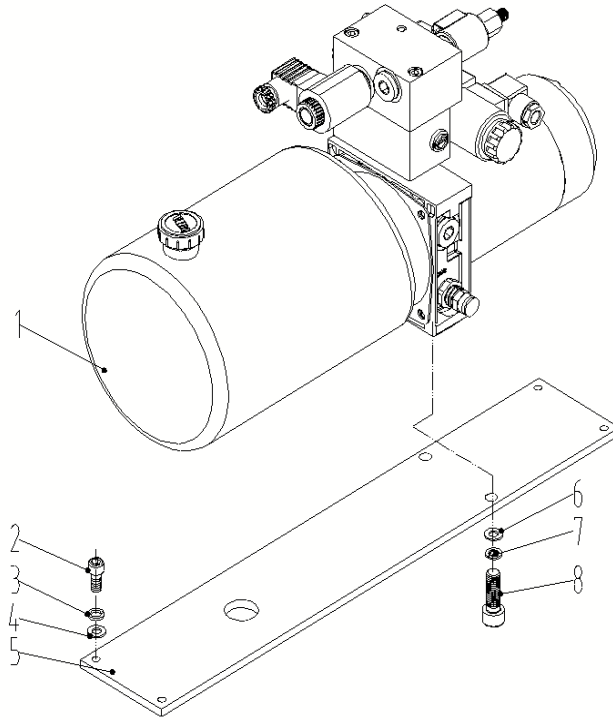


No.	Part No.	Description	Specification	Qty	Remark	
1	44007000007	Bonded sealing washer 14		3		
2	31016000200	High pressure hose		1		
3	31016000196	High pressure hose		2		
4	44007000012	Bonded sealing washer 18		4		
5	30217000065	Hydraulic station mounting assy		1	Y	See 2.01
6	30203000002	Relief valve		1		
7	20313000034	Joint		2		
8	20313000100	Joint		3		
9	20313000241	Joint		1		

Date:  
20.07.2022

Hydraulic station mounting assy (CPD05W.02.01-00)

Index No.: 2.01  
30217000065

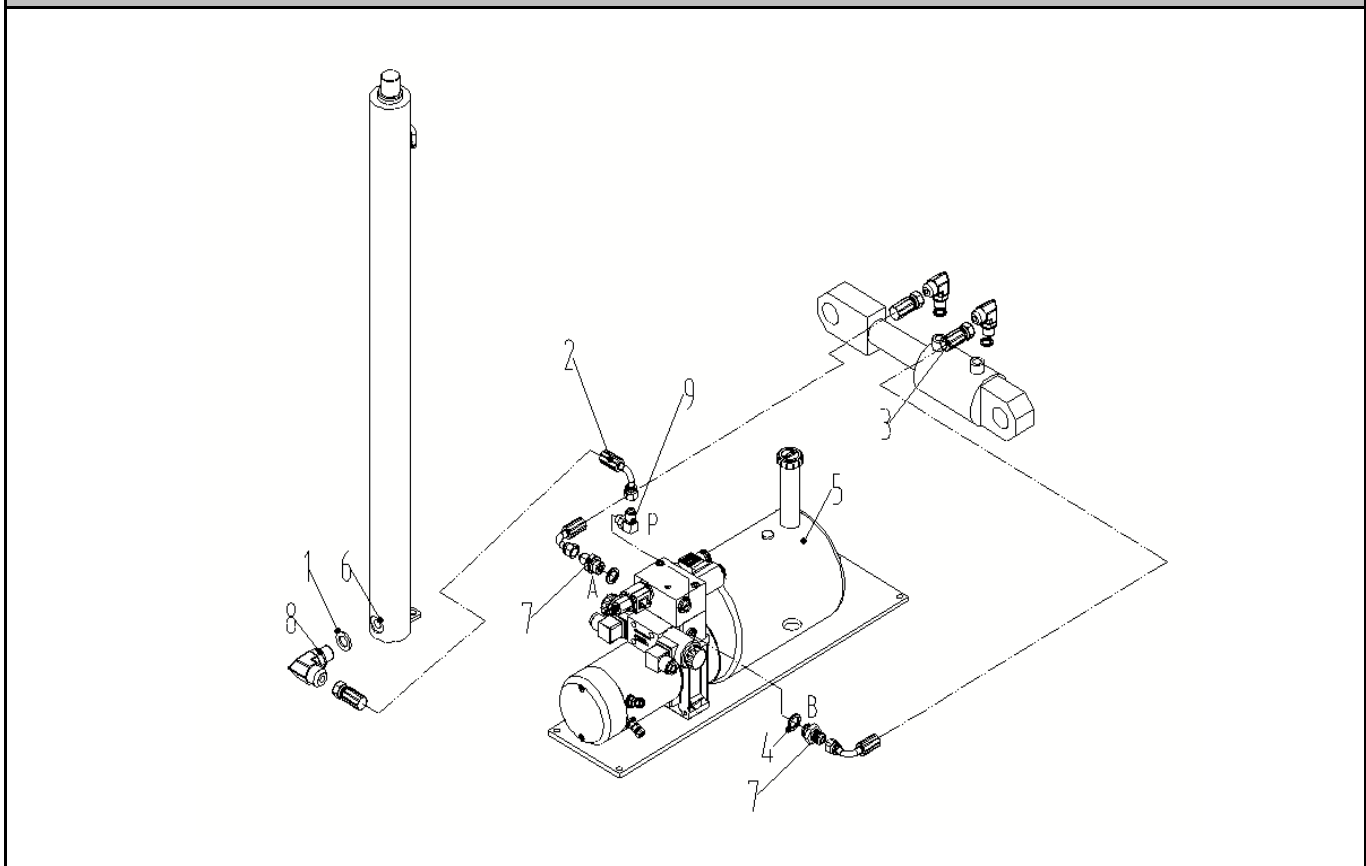


No.	Part No.	Description	Specification	Qty	Remark
1	30217000062	Hydraulic station		1	
2	41100000043	Screw M6X20		4	
3	41300000004	Washer 6		4	
4	41301000004	Washer 6		4	
5	21909000347	Mounting plate		1	
6	41301000007	Washer 10		2	
7	41300000008	Washer 10		2	
8	41100000096	Screw M10X25		2	

Date:  
20.07.2022

Hydraulic system (CPD10W.02-00)

Index No. : 2.00B  
30201001171

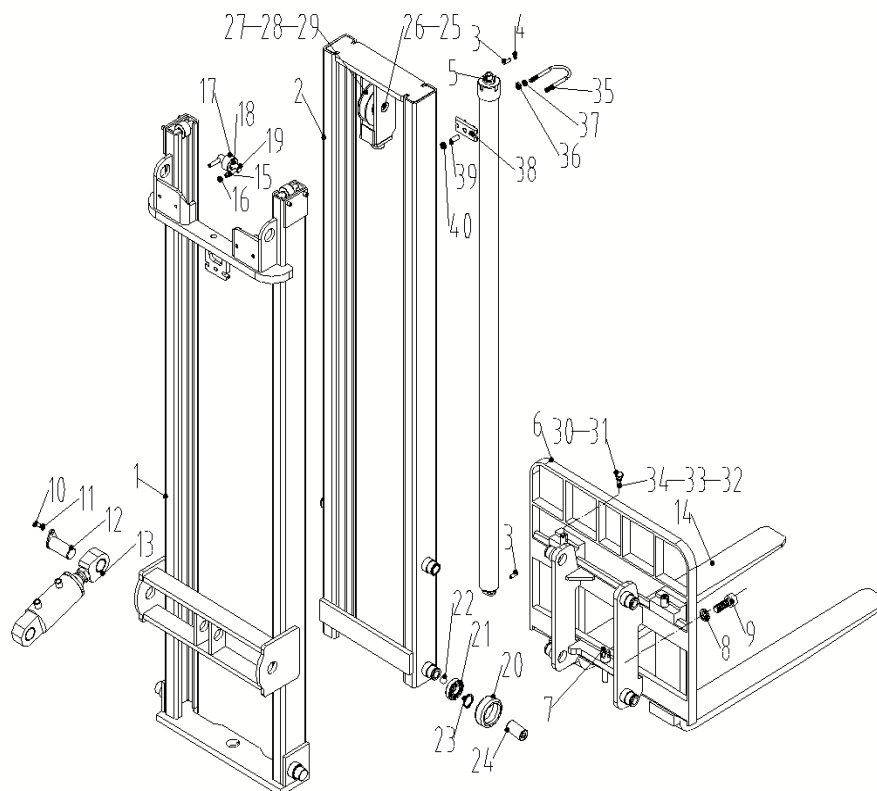


No.	Part No.	Description	Specification	Qty	Remark	
1	44007000007	Bonded sealing washer 14		3		
2	31016000202	High pressure hose		1		
3	31016000196	High pressure hose		2		
4	44007000012	Bonded sealing washer 18		4		
5	30217000065	Hydraulic station mounting assy		1	Y	See 2.01
6	30203000002	Relief valve		1		
7	20313000034	Joint		2		
8	20313000100	Joint		3		
9	20313000241	Joint		1		

Date:  
20.07.2022

Mast master assy (CPD05W.07-00)

Index No. : 3.00

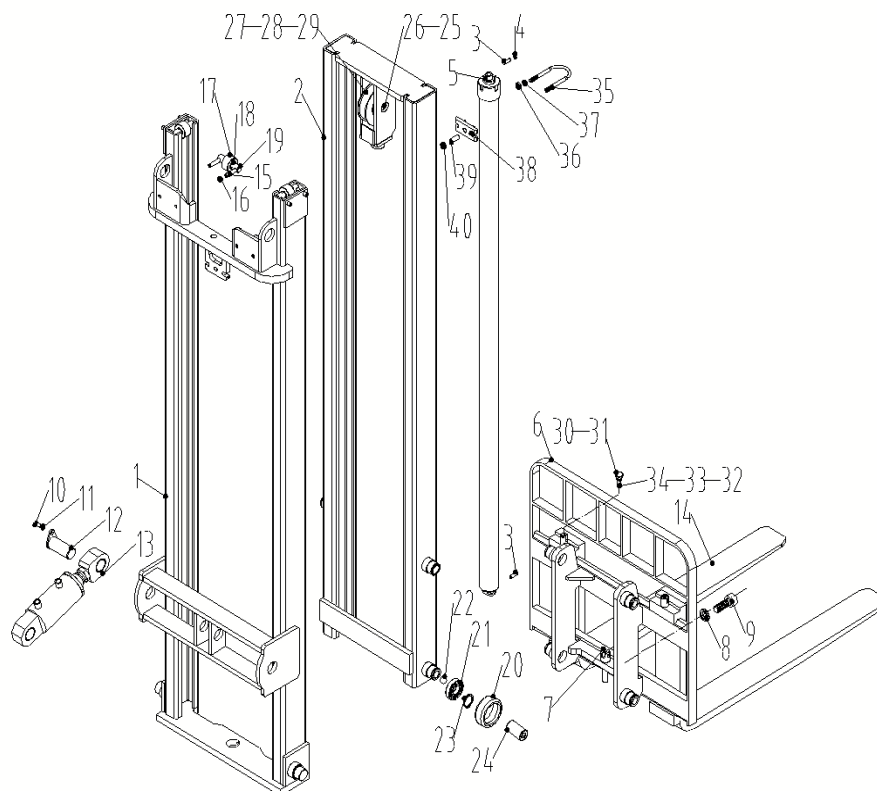


No.	Part No.	Description	Specification	Qty	Remark	
1	30602000666	Outer mast assy	Lift height 2m	1		
1	30602000665	Outer mast assy	Lift height 2.5m	1		
1	30602000662	Outer mast assy	Lift height 3m	1		
2	30604000314	Inner mast assy	Lift height 2m	1		
2	30604000313	Inner mast assy	Lift height 2.5m	1		
2	30604000312	Inner mast assy	Lift height 3m	1		
3	41105000008	Screw M8X20		2		
4	41200000008	Nut M8		1		
5	31003000705	Cylinder master assy	Lift height 2m	1	Y	See 3.01
5	31003000704	Cylinder master assy	Lift height 2.5m	1	Y	See 3.01
5	31003000702	Cylinder master assy	Lift height 3m	1	Y	See 3.01
6	30616000180	Sliding frame assy		1		
7	30607000091	Chain assy	Lift height 2m/121 clasps	1	Y	See 3.02
7	30607000093	Chain assy	Lift height 2.5m/141 clasps	1	Y	See 3.02
7	30607000095	Chain assy	Lift height 3m/159 clasps	1	Y	See 3.02
8	41100000125	Screw M12X20		1		
9	41300000010	Washer 12		3		
10	41100000063	Bolt M8X16		2		
11	41300000005	Washer 8		2		
12	31117000075	L-pin shaft		2		
13	31003000703	Cylinder master assy	CPD05W	1	Y	See 3.03
14	30617000322	Fork assy	850	2		
14	30617000329	Fork assy	950	2		
14	30617000330	Fork assy	1070	2		
15	41105000037	Screw M10X60		4		

Date:  
20.07.2022

Mast master assy (CPD05W.07-00)

Index No. : 3.00

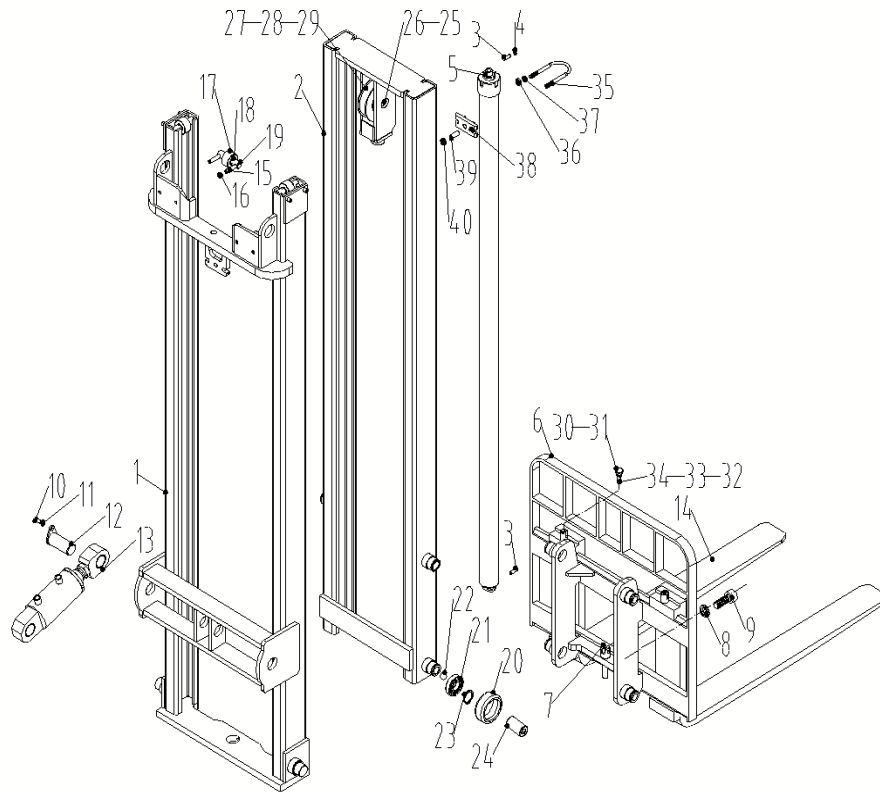


No.	Part No.	Description	Specification	Qty	Remark
16	4120000012	Nut M10		4	
17	2131000009	Pulley		2	
18	4130500013	Retaining ring 20		8	
19	21702000044	Groove pin roller		2	
20	21314000004	Pulley		8	
21	43001000051	Bearing 6207-2RS		8	
22	40002000017	Steel ball 19.05		6	
23	41305000020	Retaining ring 35		8	
24	41105000024	Screw M16X25		6	
25	21703000164	Step shaft		1	
26	41305000018	Retaining ring 30		1	
27	21311000007	Chain roller		1	
28	43001000046	Bearing 6206-2RS		2	
29	21809000028	Shaft sleeve		2	
30	21404000002	Plastic pull handle		2	
31	41402000001	Pin 3X14		2	
32	41402000010	Pin 4X25		2	
33	21605000030	Compression spring		2	
34	21703000029	Step shaft		2	
35	21009000061	Hoop		1	
36	41208000008	Nut M10		2	
37	41301000007	Washer 10		2	
38	21213000031	Snap ring		1	
39	41104000011	Screw M12X35		1	
40	41200000013	Nut M12		1	

Date:  
20.07.2022

Mast master assy (CPD05W.07-00)

Index No. : 3.00

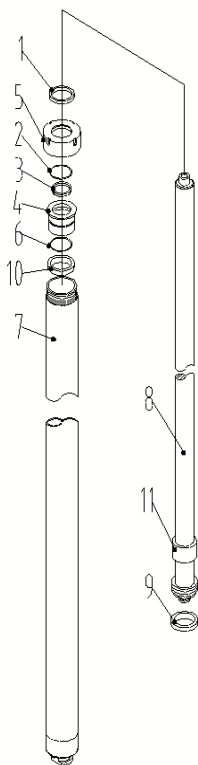


No.	Part No.	Description	Specification	Qty	Remark	

Date:  
19.12.2024

Cylinder master assy (495.01.0350.08)

Index No. : 3.01

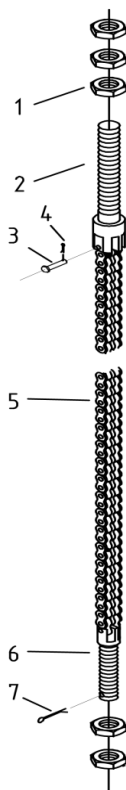


No.	Part No.	Description	Specification	Qty	Remark
1	44112000015	Dust ring DHS35-43-5/6.5		1	
2	20311000003	Support ring		1	
3	44100000016	Seal ring UHS35-45-6		1	
4	21813000006	Guide sleeve		1	
5	20307000003	Hood		1	
6	44006000058	O ring 40X2.65		1	
7	31004000412	Cylinder assy	Lift height 1.6m	1	
7	31004000407	Cylinder assy	Lift height 2m	1	
7	31004000406	Cylinder assy	Lift height 2.5m	1	
7	31004000405	Cylinder assy	Lift height 3m	1	
8	31005000077	Piston rod assy	Lift height 1.6m	1	
8	31005000075	Piston rod assy	Lift height 2m	1	
8	31005000074	Piston rod assy	Lift height 2.5m	1	
8	31005000073	Piston rod assy	Lift height 3m	1	
9	44115000032	Guide tape BST5909-10-2.5		2	
10	44115000010	Guide tape BST5809-10-2.5		2	
11	21808000132	Bush		1	

Date:  
20.07.2022

Chain assy (125.02.0846.09)

Index No.: 3.02



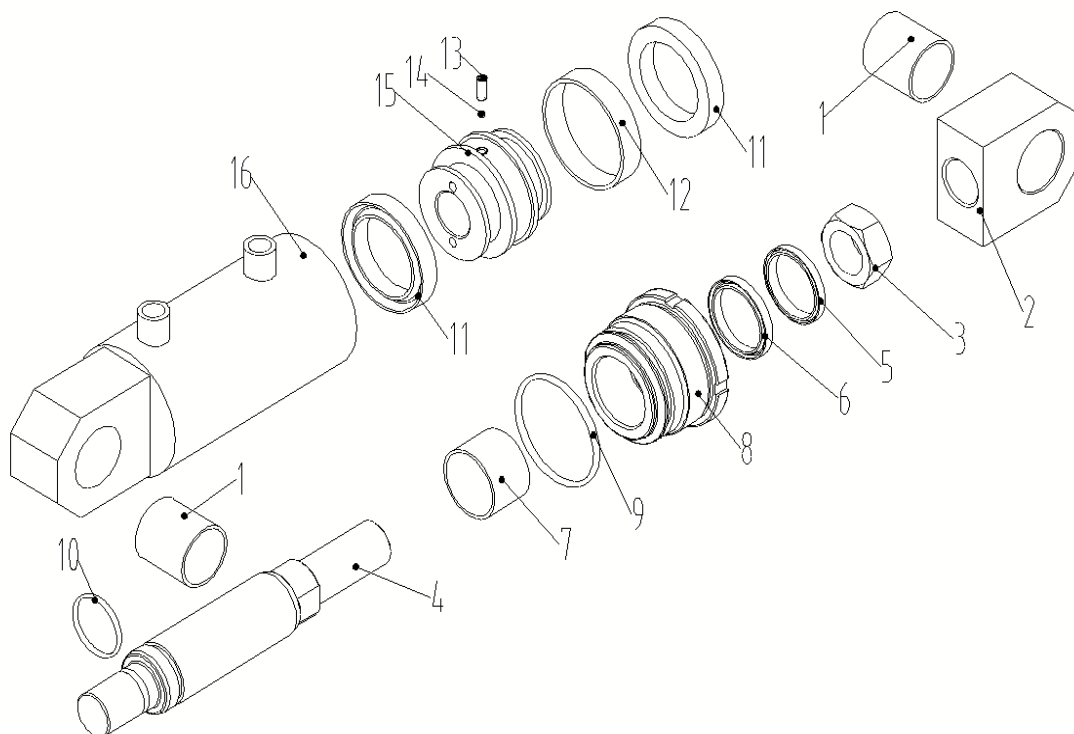
No.	Part No.	Description	Specification	Qty	Remark
1	41201000004	Nut M16X1.5		5	
2	21503000006	Chain joint		1	
3	21711000002	Chain Pin		2	
4	41406000003	Pin 2X16		2	
5	42002000100	Chain LH0846	81 clasps	1	
5	42002000004	Chain LH0846	121 clasps	1	
5	42002000007	Chain LH0846	141 clasps	1	
5	42002000012	Chain LH0846	159 clasps	1	
6	21503000005	Chain joint		1	
7	41406000005	Pin 2.5X30		2	



Date:  
20.07.2022

Cylinder master assy (495.02.0700.11)

Index No. : 3.03

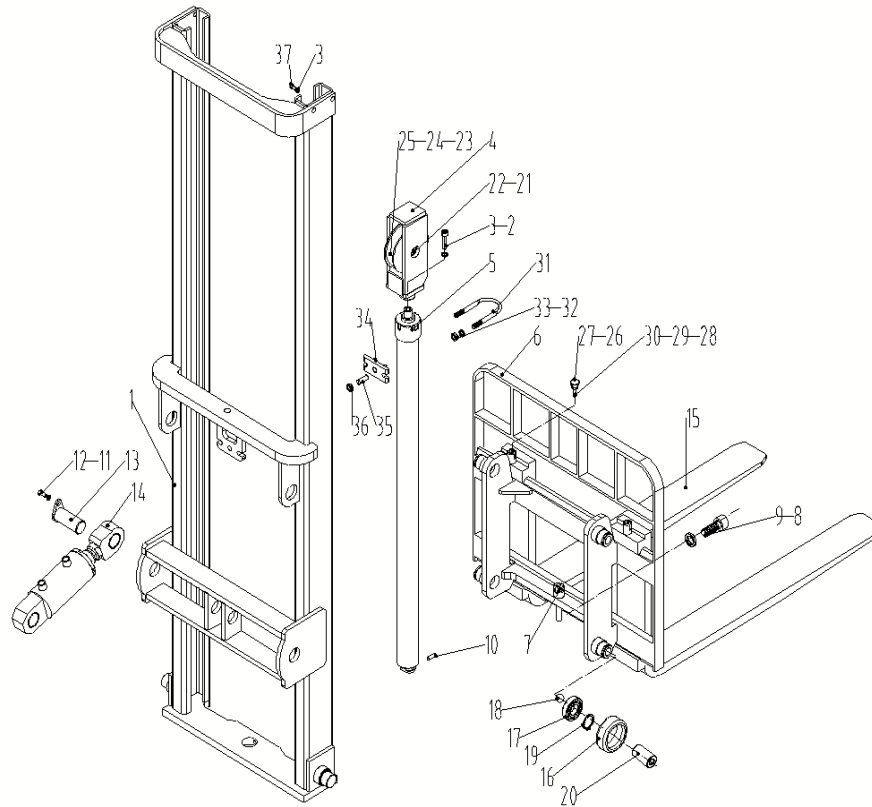


No.	Part No.	Description	Specification	Qty	Remark
1	4310000097	Bearing 1-35.40		2	
2	21812000027	Coupling sleeve		1	
3	41203000009	Nut M27X2		1	
4	20304000353	Piston rod	CPD05W	1	
4	20304000455	Piston rod	CPD10W	1	
5	44112000017	Dust ring DHS 40-48-5/6.5		1	
6	44100000020	Seal ring UHS 40-50-6		1	
7	43100000069	Bearing 1-40.30		1	
8	20307000059	Hood		1	
9	44006000092	O ring 65X3.55		1	
10	44006000052	O ring 35.5X2.65		1	
11	44103000002	Seal ring ODI 70-50-12		2	
12	44115000052	Guide tape BST5918-15-2.5		1	
13	41105000003	Screw M6X12		1	
14	40002000003	Steel ball 4		1	
15	20303000025	Piston		1	
16	31004000320	Cylinder assy		1	

Date:  
20.07.2022

Mast master assy (CPD05W.06-00)

Index No. : 3.00A

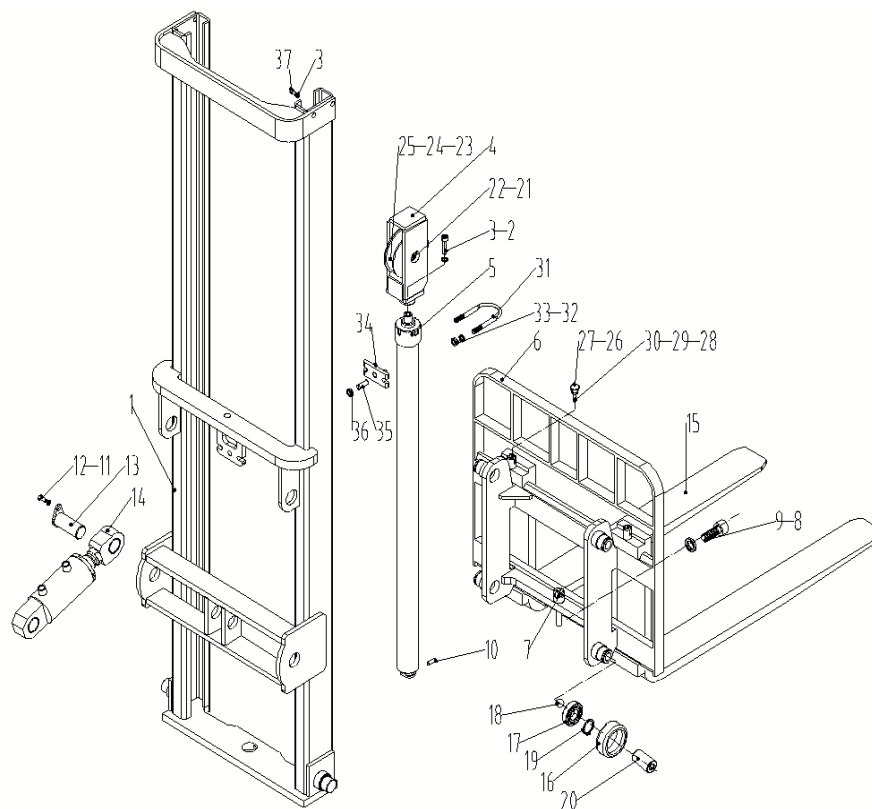


No.	Part No.	Description	Specification	Qty	Remark	
1	30602000698	Outer mast assy	Lift height 1.6m	1		
2	41100000100	Screw M10X35		1		
3	41300000008	Washer 10		2		
4	30614000021	Chain roller frame assy		1		
5	31003000715	Cylinder master assy	Lift height 1.6m	1	Y	See 3.01
6	30616000186	Sliding frame assy		1		
7	30607000090	Chain assy	Lift height 1.6m/81 clasps	1	Y	See 3.02
8	41100000125	Screw M12X20		1		
9	41300000010	Washer 12		3		
10	41105000008	Screw M8X20		1		
11	41100000063	Bolt M8X16		2		
12	41300000005	Washer 8		2		
13	31117000075	L-pin shaft		2		
14	31003000703	Cylinder master assy	CPD05W	1	Y	See 3.03
15	30617000322	Fork assy	850	2		
15	30617000329	Fork assy	950	2		
15	30617000330	Fork assy	1070	2		
16	21314000004	Pulley		8		
17	43001000051	Bearing 6207-2RS		8		
18	40002000017	Steel ball 19.05		6		
19	41305000020	Retaining ring 35		8		
20	41105000024	Screw M16X25		6		
21	21703000164	Step shaft		1		
22	41305000018	Retaining ring 30		1		
23	21311000007	Chain roller		1		

Date:  
20.07.2022

Mast master assy (CPD05W.06-00)

Index No. : 3.00A

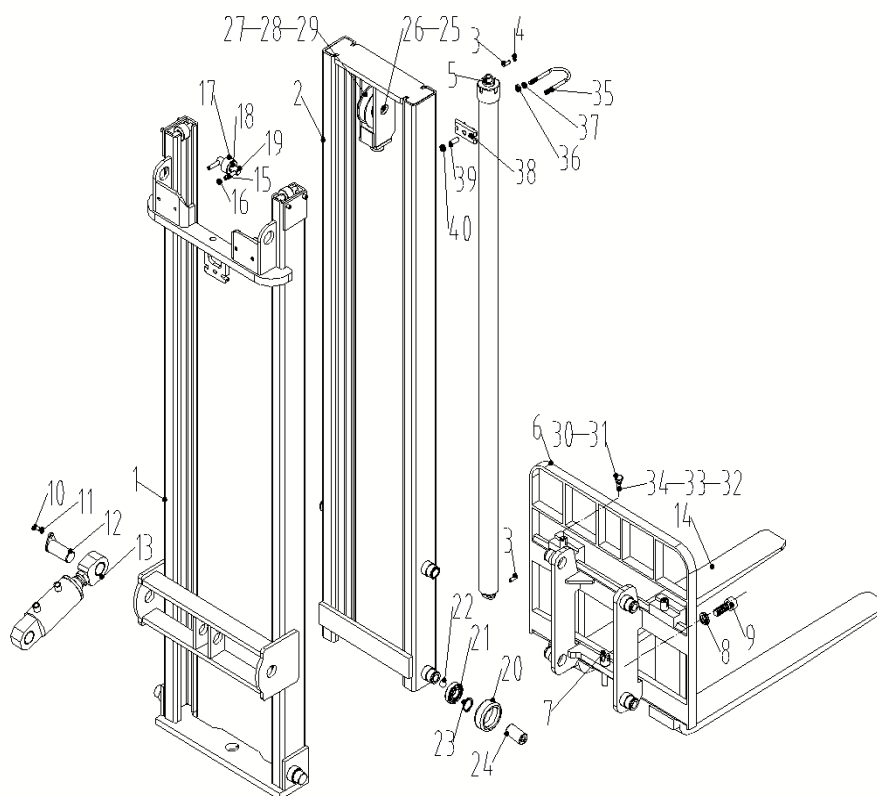


No.	Part No.	Description	Specification	Qty	Remark
24	43001000046	Bearing 6206-2RS		2	
25	21809000028	Shaft sleeve		2	
26	21404000002	Plastic pull handle		2	
27	41402000001	Pin 3X14		2	
28	41402000010	Pin 4X25		2	
29	21605000030	Compression spring		2	
30	21703000029	Step shaft		2	
31	21009000061	Hoop		1	
32	41208000008	Nut M10		2	
33	41301000007	Washer A0		2	
34	21213000031	Snap ring		1	
35	41104000011	Screw M12X35		1	
36	41200000013	Nut M12		1	
37	41100000093	Screw M10X16		1	

Date:  
20.07.2022

Mast master assy (CPD10W.07-00)

Index No. : 3.00B

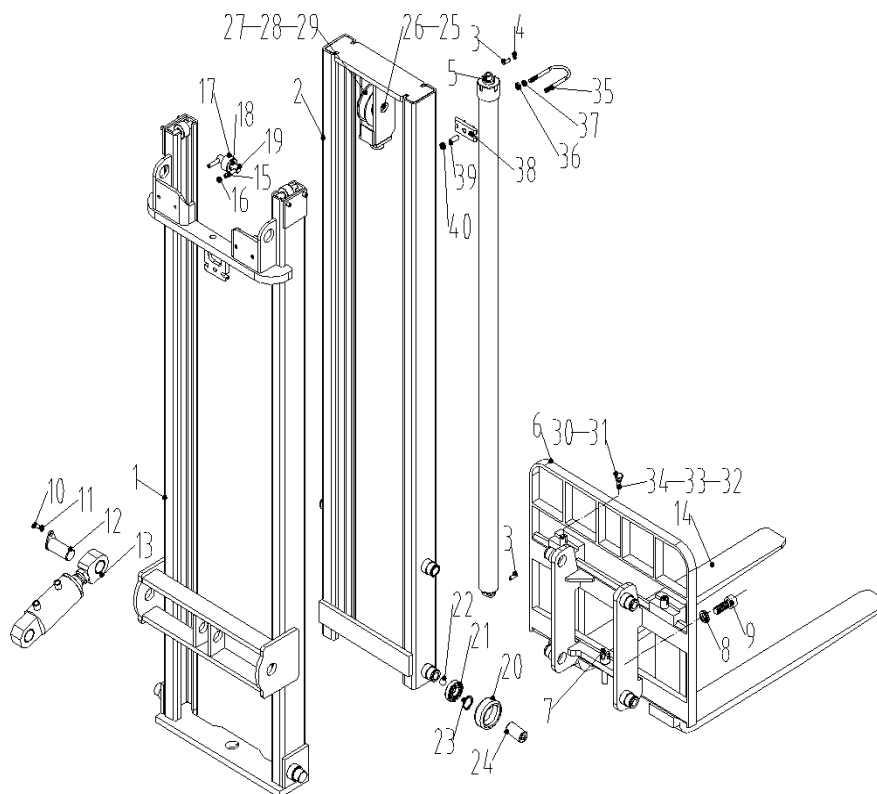


No.	Part No.	Description	Specification	Qty	Remark	
1	30602000666	Outer mast assy	Lift height 2m	1		
1	30602000665	Outer mast assy	Lift height 2.5m	1		
1	30602000662	Outer mast assy	Lift height 3m	1		
2	30604000314	Inner mast assy	Lift height 2m	1		
2	30604000313	Inner mast assy	Lift height 2.5m	1		
2	30604000312	Inner mast assy	Lift height 3m	1		
3	41105000008	Screw M8X20		2		
4	41200000008	Nut M8		1		
5	31003000876	Cylinder master assy	Lift height 2m	1	Y	See 3.01B
5	31003000877	Cylinder master assy	Lift height 2.5m	1	Y	See 3.01B
5	31003000823	Cylinder master assy	Lift height 3m	1	Y	See 3.01B
6	30616000180	Sliding frame assy		1		
7	30607000140	Chain assy	Lift height 2m/81 clasps	1	Y	See 3.02B
7	30607000603	Chain assy	Lift height 2.5m/95 clasps	1	Y	See 3.02B
7	30607000475	Chain assy	Lift height 3m/107 clasps	1	Y	See 3.02B
8	41100000125	Screw M12X20		1		
9	41300000010	Washer 12		3		
10	41100000063	Bolt M8X16		2		
11	41300000005	Washer 8		2		
12	31117000075	L-pin shaft		2		
13	31003000822	Cylinder master assy	CPD10W	1	Y	See 3.03
14	30617000322	Fork assy	850	2		
14	30617000329	Fork assy	950	2		
14	30617000330	Fork assy	1070	2		
15	41105000037	Screw M10X60		4		

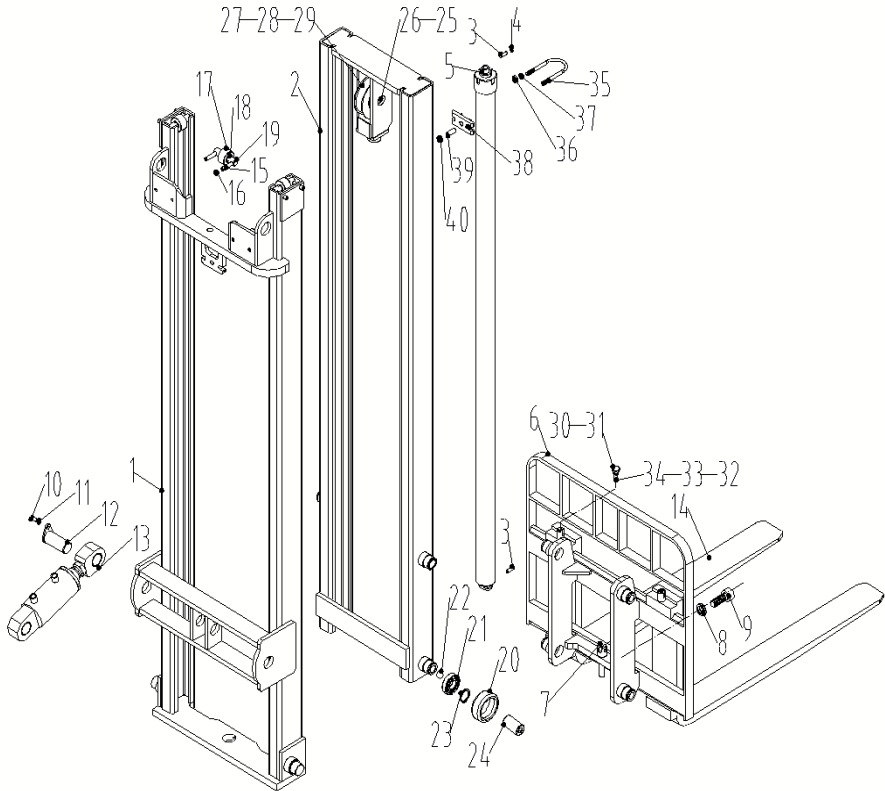
Date:  
20.07.2022

Mast master assy (CPD10W.07-00)

Index No. : 3.00B



No.	Part No.	Description	Specification	Qty	Remark
16	4120000012	Nut M10		4	
17	2131000009	Pulley		2	
18	4130500013	Retaining ring 20		8	
19	21702000044	Groove pin roller		2	
20	21314000004	Pulley		8	
21	43001000051	Bearing 6207-2RS		8	
22	40002000017	Steel ball 19.05		6	
23	41305000020	Retaining ring 35		8	
24	41105000024	Screw M16X25		6	
25	21703000164	Step shaft		1	
26	41305000018	Retaining ring 30		1	
27	21311000007	Chain roller		1	
28	43001000046	Bearing 6206-2RS		2	
29	21809000028	Shaft sleeve		2	
30	21404000002	Plastic pull handle		2	
31	41402000001	Pin 3X14		2	
32	41402000010	Pin 4X25		2	
33	21605000030	Compression spring		2	
34	21703000029	Step shaft		2	
35	21009000061	Hoop		1	
36	41208000008	Nut M10		2	
37	41301000007	Washer 10		2	
38	21213000031	Snap ring		1	
39	41104000011	Screw M12X35		1	
40	41200000013	Nut M12		1	

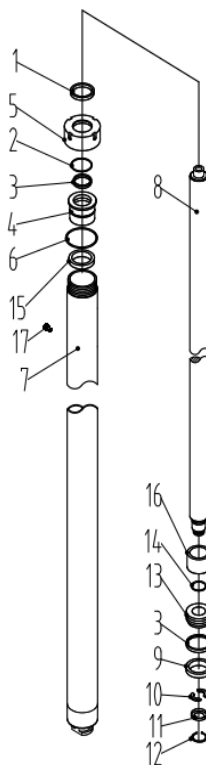


No.	Part No.	Description	Specification	Qty	Remark

Date:  
20.07.2022

Cylinder master assy (495.02.0450.09)

Index No. : 3.01B

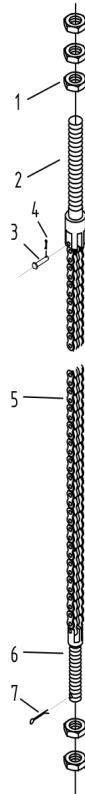


No.	Part No.	Description	Specification	Qty	Remark
1	44112000015	Dust ring DHS35-43-5/6.5		1	
2	20311000003	Support ring		1	
3	44100000016	Seal ring UHS35-45-6		2	
4	21813000006	Guide sleeve		1	
5	20307000003	Hood		1	
6	44006000058	O ring 40X2.65		1	
7	31004000539	Cylinder assy	Lift height 2m	1	
7	31004000538	Cylinder assy	Lift height 2.5m	1	
7	31004000508	Cylinder assy	Lift height 3m	1	
8	20304000438	Piston rod	Lift height 2m	1	
8	20304000437	Piston rod	Lift height 2.5m	1	
8	20304000412	Piston rod	Lift height 3m	1	
9	44115000031	Guide tape BST5909-10-2.5		2	
10	21817000003	Semi ring		2	
11	20519000008	Bowl pad		1	
12	41305000013	Retaining ring 20		1	
13	20303000012	Piston		1	
14	44006000031	O ring 19X3.55		1	
15	44115000010	Guide tape BST5809-10-2.5		2	
16	21808000132	Bush		1	
17	20104000039	Screw plug		1	

Date:  
20.07.2022

Chain assy (125.02.1234.01)

Index No.: 3.02B



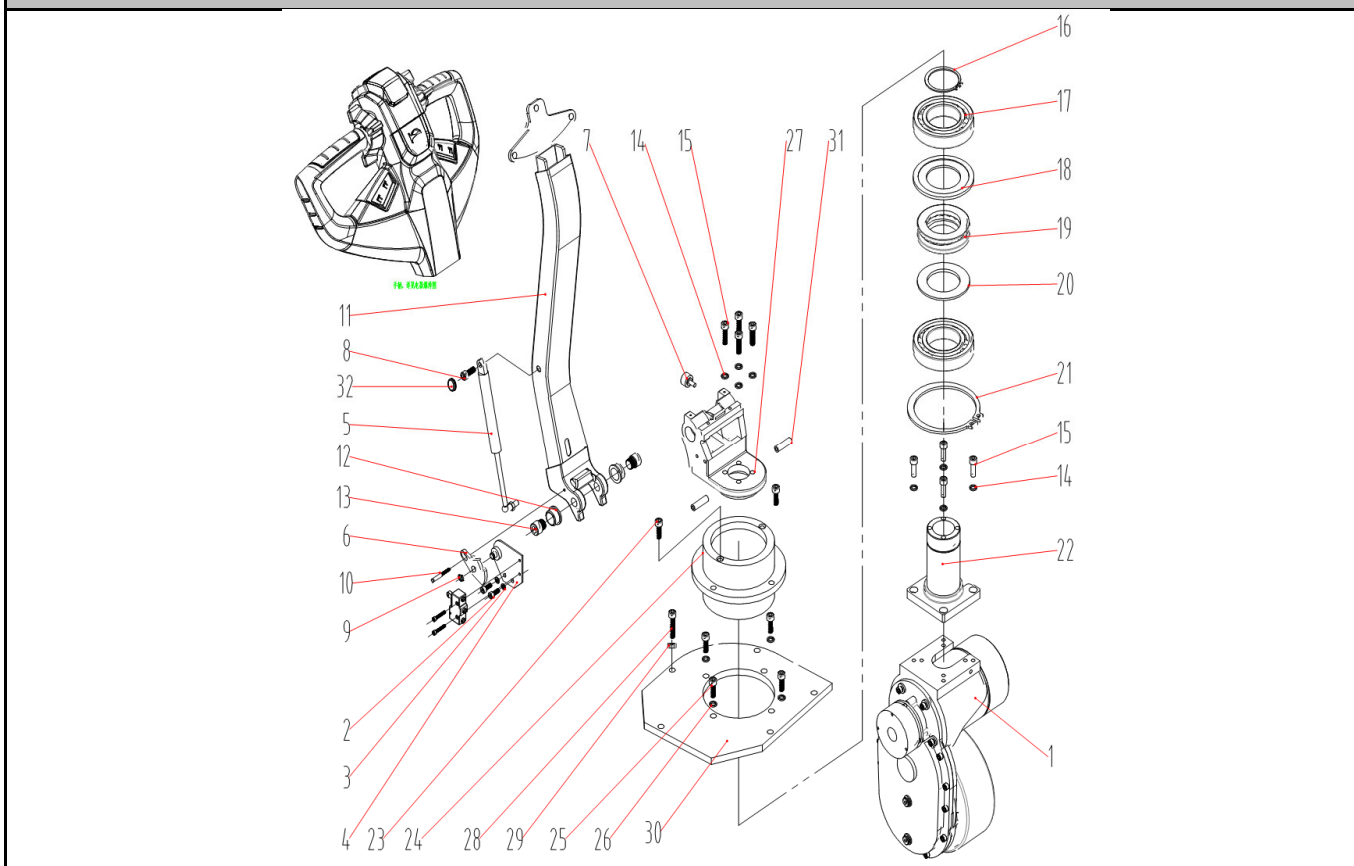
No.	Part No.	Description	Specification	Qty	Remark
1	41201000004	Nut M16X1.5		5	
2	21503000002	Chain joint		1	
3	21711000001	Chain Pin		2	
4	41406000003	Pin 2X16		2	
5	42002000100	Chain LH1234	81 clasps	1	
5	42002000042	Chain LH1234	95 clasps	1	
5	42002000030	Chain LH1234	107 clasps	1	
6	21503000001	Chain joint		1	
7	41406000005	Pin 2.5X30		2	



Date:  
20.07.2022

Steering gear master assy (053.01.0006.05)

Index No. : 4.00  
30402000159

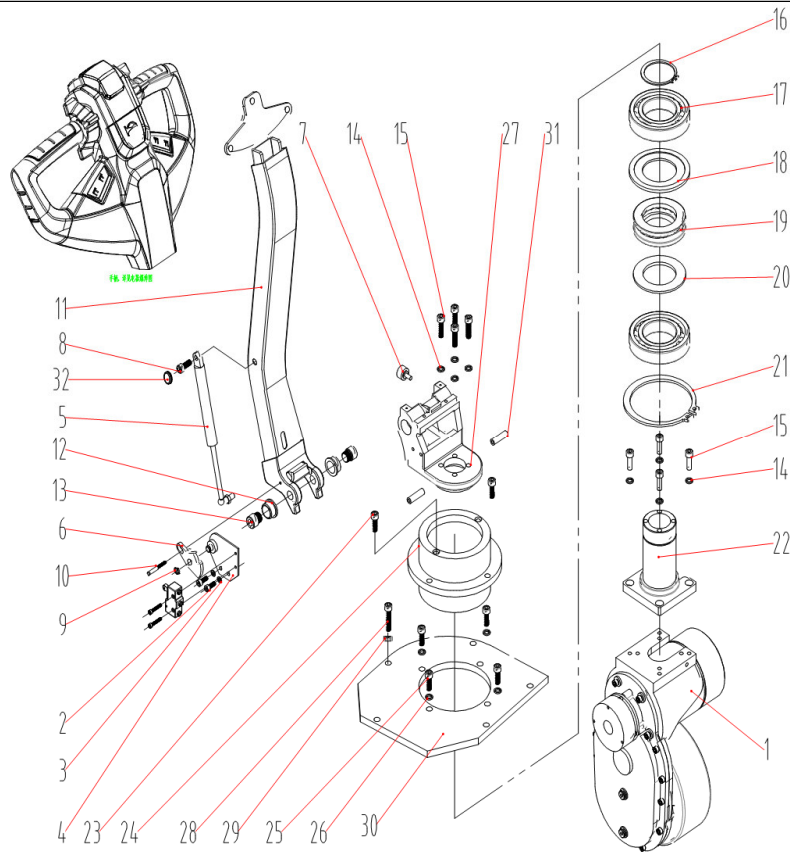


No.	Part No.	Description	Specification	Qty	Remark	
1	30302000004	Horizontal driving wheel master assy	PU/195X70	1	Y	See 4.01
2	41100000041	Screw M6X16		2		
3	41300000004	Wahser 6		2		
4	31103000002	Fixed board assy		1		
5	21607000030	Gas spring		1		
6	21309000001	Cam		1		
7	21608000013	Crash pad		1		
8	20101000010	Screw		1		
9	41305000003	Retaining ring 10		1		
10	20106000010	Stud		1		
11	30907000024	Handle assy		1		
12	43101000010	Bearing SF-1F-220.150		2		
13	20106000007	Stud		2		
14	41300000005	Wahser 8		8		
15	41100000068	Screw M8X25		8		
16	41305000027	Retaining ring 60		1		
17	43001000081	Bearing 6212-ZZ		2		
18	21809000041	Wahser		1		
19	43010000025	Bearing 51212		1		
20	21809000040	Wahser		1		
21	41304000030	Retaining ring 110		1		
22	21207000001	Pedestal		1		
23	41002000063	Bolt M10X10		2		
24	21216000002	Bearing seat		1		
25	41100000098	Screw M10X30		4		

Date:  
20.07.2022

### Steering gear master assy (053.01.0006.05)

Index No. : 4.00  
30402000159

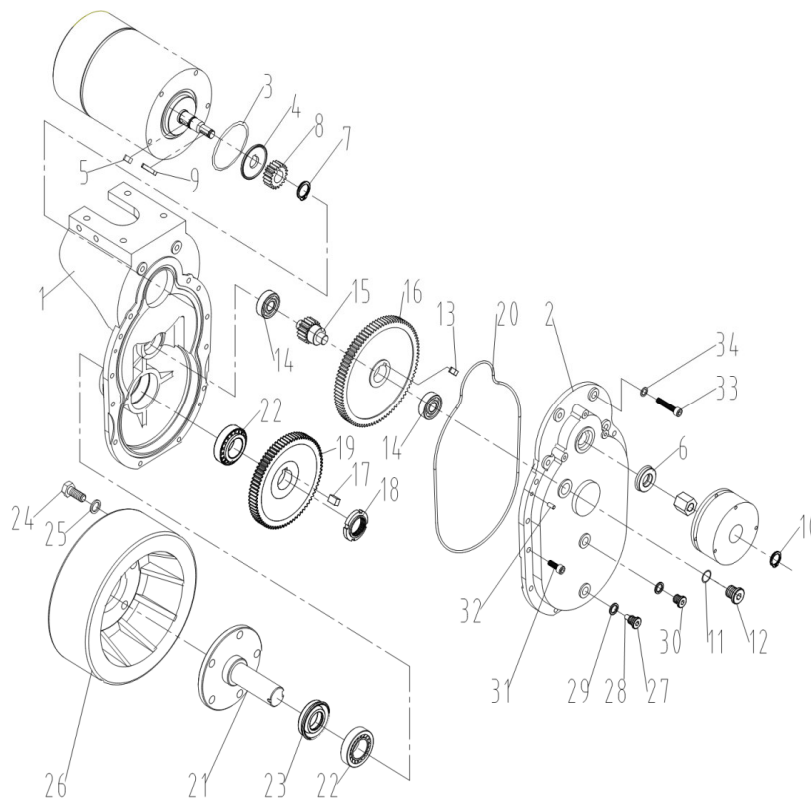


No.	Part No.	Description	Specification	Qty	Remark	
26	41300000008	Wahser 10		4		
27	21211000003	Handle seat		1		
28	41100000107	Screw M10X60		1		
29	41200000011	Nut M10		1		
30	21918000001	Flange plate		1		
31	20105000015	Bolt		2		
32	20520000014	Rubber cover		1		

Date:  
20.07.2022

Drive wheel master assy (081.01.0195.02)

Index No.: 4.01

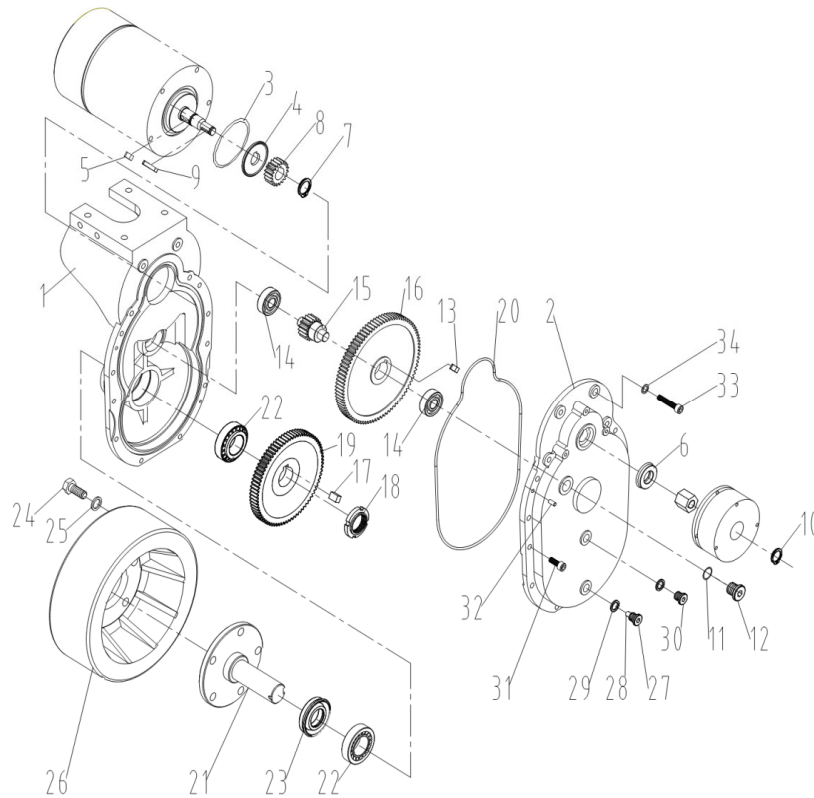


No.	Part No.	Description	Specification	Qty	Remark
1	20502000009	Right gearbox		1	
2	20502000010	Left gearbox		1	
3	44006000080	O ring 56X2.65		1	
4	20205000001	Oil retaining ring		1	
5	42001000006	Flat key A-5X5X14		1	
6	44005000001	Seal ring TC14X25X5		1	
7	41305000007	Retaining ring 15		1	
8	20601000004	Ger		1	
9	42001000001	Falt key A-3X3X12		1	
10	41305000003	Retaining ring 10		1	
11	44006000014	O ring 10X2.65		1	
12	20104000015	Screw plug		1	
13	42001000012	Flat key C-6X6X10		1	
14	43001000008	Bearing 6201-P5		2	
15	20603000001	Gear shaft		1	
16	20601000007	Gear		1	
17	42001000023	Flat key C 8X7X18		2	
18	20103000010	Round nut		1	
19	20601000006	Gear		1	
20	20203000001	O ring		1	
21	21703000225	Step shaft		1	
22	43008000004	Bearing 32005-P5		2	
23	44005000008	Seal ring TC35X47X7		1	
24	41002000020	Bolt M10X20		5	
25	41300000008	Washer 10		5	

Date:  
20.07.2022

Drive wheel master assy (081.01.0195.02)

Index No. : 4.01



No.	Part No.	Description	Specification	Qty	Remark
26	21312000099	Wheel	Rubber/φ195X70	1	
26	21312000216	Wheel	PU/φ195X70	1	
27	20104000014	Screw plug		1	
28	21925000001	Magnetic steel		1	
29	44007000003	Washer 10		2	
30	20104000007	Screw plug		1	
31	41100000043	Screw M6X20		10	
32	41400000002	Pin B-4X20		2	
33	41100000049	Screw M6X35		4	
34	41300000004	Washer 6		4	